

ORECK[®] XL[®]

SIMPLY AMAZING[®]

Service Parts List

XL21 / Platinum / Pilot Series

Upright Vacuum Cleaner

XL21-600ECC
XL21-600ECB
XL21-700ECC
XL21-700ECB
XL21-700ECP
XL21-700ECT
XL21-750ECB
XL21-750ECT
XL21-780EYB
XL21-780EYM

Platinum Series Units

U7000ECR
U7000ECB
U7000ECP
U7100ECB

Pilot Series Units

U7200ECB
U7300ECB



REV BA., Please disregard all earlier versions.

Type 1, 2, 3, 4, 5, & 6

Service Information

- 1 Component configuration on exploded view may differ in case of specific versions. However, the actual components are distinguished by means of item and part numbers.
- 1 If a repair has been made, make sure that all functions of the appliance are working correctly.
- 1 Spare parts have been standardized as much as possible and the part may not be the exact replacement part.
- 1 To extend life of top cover, use 03751M screw for baseplate if current screw strips.

Data Label

SN 700ECPSE000672-3
 FOR HOUSEHOLD USE ONLY DATE: 06095
 POUR USAGE MENAGER W: 10/21 YR
 CONFORMS TO UL STD 1017
 CERTIFIED TO CSA C22.2 NO.243-01
 TYPE 5 MODEL: U7000ECBS
 120 VOLTS 60 HZ 3.5 AMP

ORECK
 COOKEVILLE, TN 38506 U.S.A.
 Customer Service US 1-800-989-3535
 Canada 1-888-676-7325 www.oreck.com



Type Code: Represents product service revision number.

Type 1: Initial Production

Type 2: Hardwire Handle

Type 3: Tube & Fan Housing

Type 4: Upper Handle Tube & Connector

Type 5: Fan Housing Assembly

Type 6: Baseplate - Requires Knurled Axles

Julian Date Code:

Represents date of manufacture.

06 Represents the year.

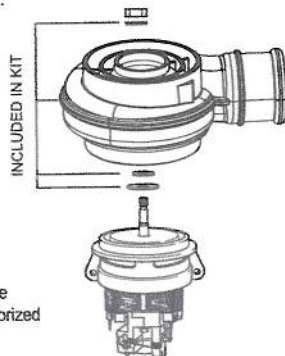
095 Represents the day in that year.

Metaxalloy™ Fan Replacement Kit #09-79066-01

Replaces Fan Housing in all ORECK® PILOT SERIES upright models .
 Must use both washers included in kit.

INSTRUCTIONS:

1. Remove old fan housing
2. Replace Fan Housing, felt seal and both washers
3. Place nut back on and tighten



IMPORTANT SAFETY NOTES:

- 1. Unplug unit before servicing.
- 1. Replacement of fans should only be done by an experienced technician or an authorized ORECK Service Center.

©2009 Oreck Holdings, LLC. All rights reserved. 77117-05 11/09 R-9737

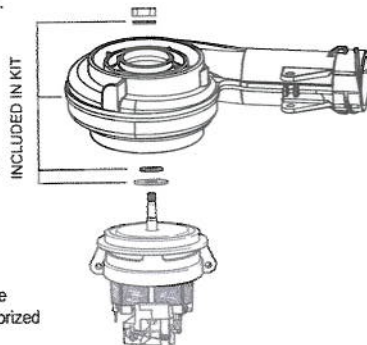
Metaxalloy™ Fan Replacement Kit #09-77230-51

Replaces Fan Housing in all ORECK® XL21 upright models .
 Must use both washers included in kit.

INSTRUCTIONS:

NOTE: The rivet, pushnut, and bag spring included with this kit are assembled prior to shipping.

1. Remove old fan housing
2. Replace Fan Housing, felt seal and both washers
3. Place nut back on and tighten



IMPORTANT SAFETY NOTES:

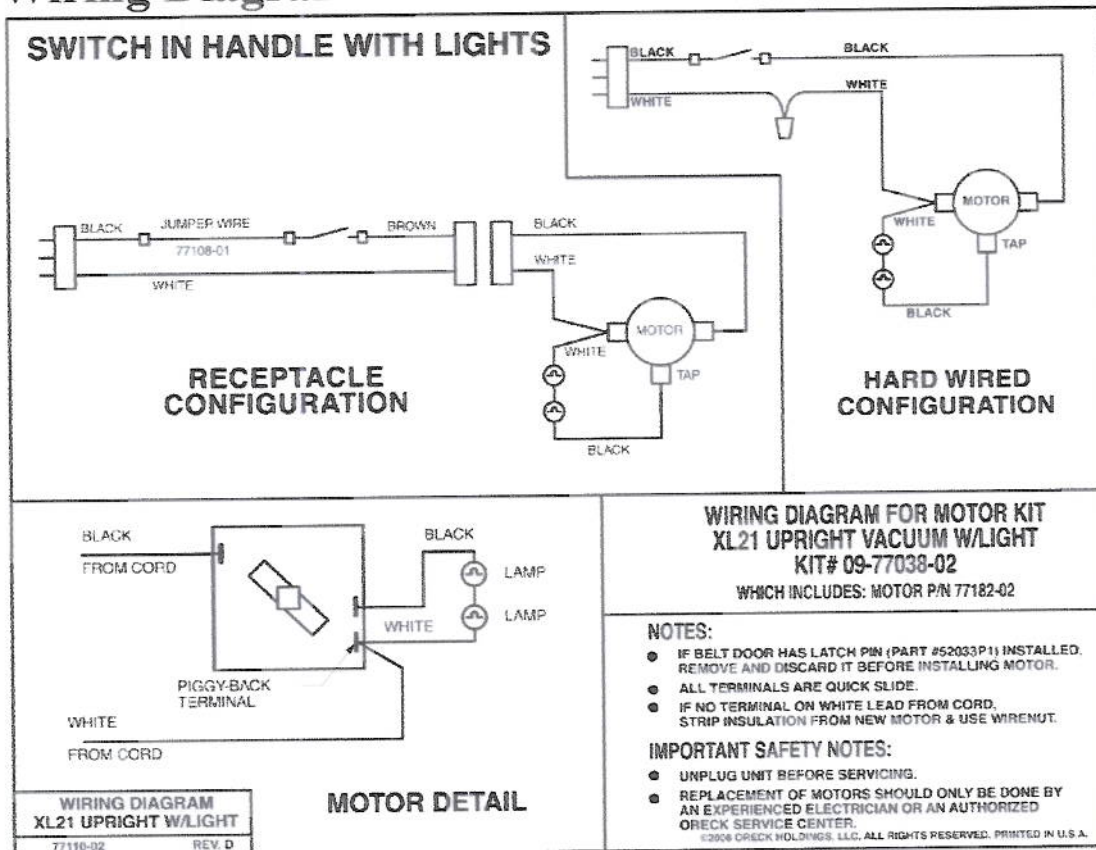
- Unplug unit before servicing.
- Replacement of fans should only be done by an experienced technician or an authorized ORECK Service Center.

©2008 Oreck Holdings, LLC. All rights reserved. 77117-04 04/08 R-9041

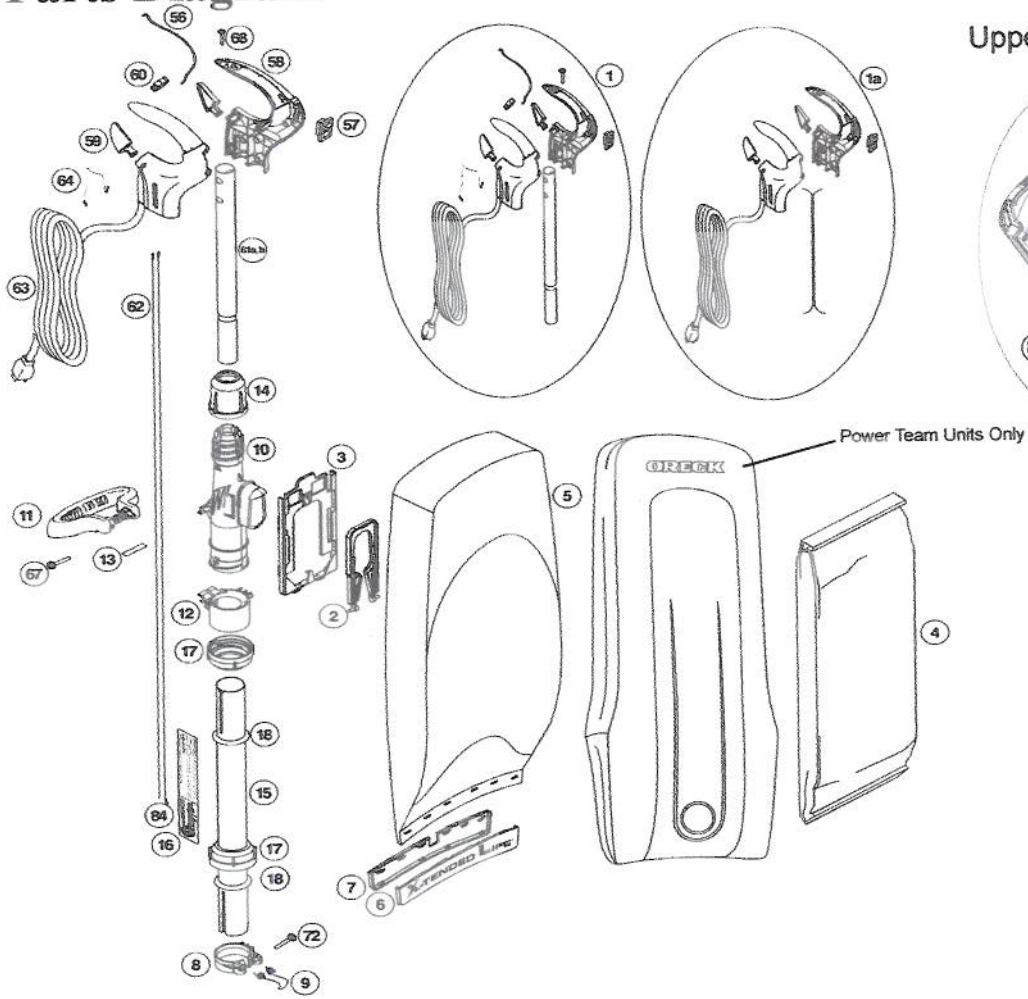
Standard Fastener Hardware Listing

#	PART FASTENER IS USED ON	FASTENER PART NO.	FASTENER DESCRIPTION	QTY REQ'D	TORQUE RANGE (in/lb)	QTY PER PKG.
67	Base Plate, Motor, Intake/Pivot, Side Door, Carrying Handle Clamp, Fan Shroud	03-00476-01M	#8 -10 x 3/4"	6/2/6 1/1 2	13 - 16	100
68	C Handle (small head) C-Handle	03-00456-01M 03-00476-01M	#8 - 6 x 3/4" #8 - 10 x 3/4"	6 6	13 - 16 13 - 16	100 100
69	Edge Brush	03-00626-01M	#6 - 20 X 7/16"	2	5 - 10	100
70	Head Light Cover	03-00589-01M	#6 x 1" PLT 30	2	8 - 12	100
71	Squeegee	03796M	#8 x .62 PLT 30	2	13 - 16	100
72	Bag Clip Clamp (Type 1-4 Only)	03-00402-01M	#8 x 1.5" PLT 30	1	8 - 12	100
73	Fan Nut	03-00448-01M	1/4" - 32 (Left Hand)	1	18 - 20	100
74	Washer, Wheel, Rear Axle	03-00630-01M	Type 6 Baseplates Only	2		100
75	Washer, Wheel, Front Axle	03-00583-01M	Type 6 Baseplates Only	2		100
76	Washer, Thrust (Fan)	03-00479-01M		1		100
77	Washer, Lock, External Tooth	03-00480-01M		1		100
82	Detent	03-00475-01M	#7 x 3/8"	1	6 - 8	100
84	Rivet	03-00453-01M		1		100
85	Pushnut	03-00636-01M		1		100
94	Pilot Assembly	03-00673-01M	#8-10 x 62 Black Zinc	7	8-10	100

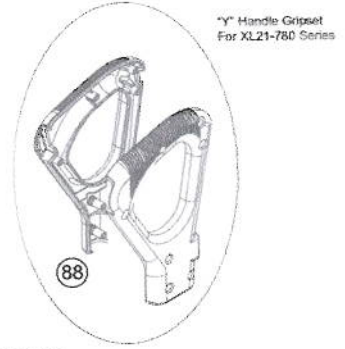
Wiring Diagram



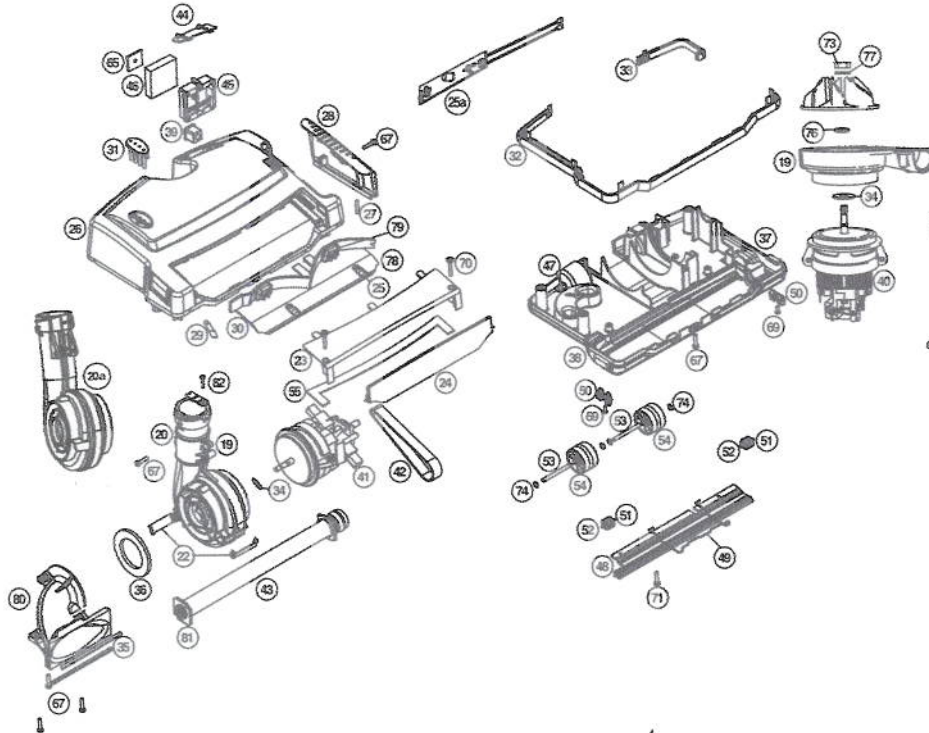
Parts Diagram



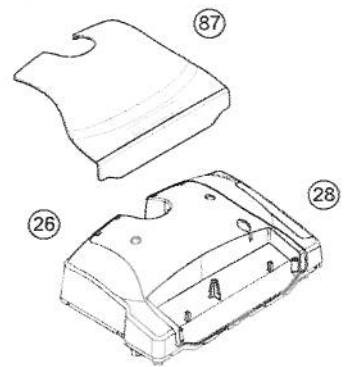
Upper View



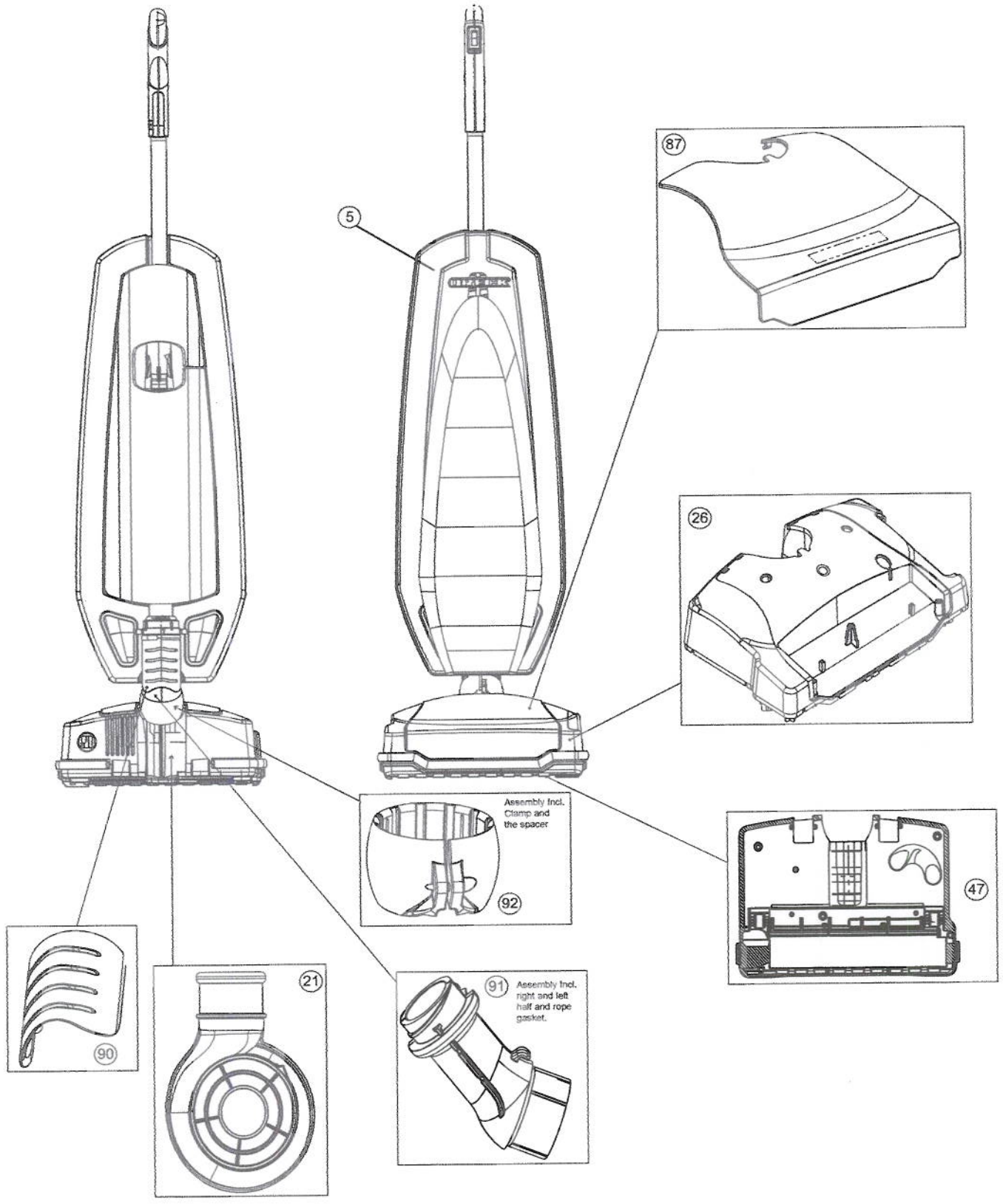
Lower View



U7000 Power Team Units



Pilot Series Unique Parts Diagram



Part Numbers Listing: XL21-600ECC, XL21-600ECB, XL21-700ECC, XL21-700ECB, XL21-700ECP, XL21-700ECT, Type 1-4 Units

#	Item	Order #	Qty.	Pk.			
1	XL21-600ECC: Handle Assy, includes items #56, 57, 58, 59, 60, 61, 63, 64 Type 1 Units Only - Order Assembly 1a	09-77093-52	1	1	NLA	NLA	NLA
	XL21-600ECB: Handle Assy, includes items #56, 57, 58, 59, 60, 61, 63, 64 Type 1 Units Only - Order Assembly 1a	09-77093-51	1	1	NLA	NLA	NLA
1a	Kit, Retro, Handle Assembly, Black, includes items #57, 58, 59, 62, 63 Type 1 Units Only	09-77207-01	1	1			
2	Bag Dock, Rear, Type CC (Use w/#3 or order #83)	75583-03-0000	1	1			
3	Bag Dock Hinge, Type CC (Use w/#2 or order #83)	75582-03-0000	1	1			
4	Dust Bag, (8 Pk.) Hypo Allergenic	CCPK8DW	1	8			
	Dust Bag, (25 Pk.) Hypo Allergenic	CCPK25DW	1	25			
	Dust Bag, (8 Pk.) Odor Control	CCPK8OF	1	8			
	Dust Bag, (25 Pk.) Odor Control	CCPK25OF	1	25			
5	XL21-600ECC / XL21-600ECB / XL21-700ECC / XL21-700ECB Outer Bag, Tan, Black, HEPA, Hypo, Anti-Microbial	77039-06	1	1			
	XL21-700ECP: Outer Bag, Tan, Black, Pink Ribbon	77039-07	1	1			
	XL21-700ECT: Outer Bag, Gray, Black, Silver	77039-08	1	1			
6	XL21-600ECC / XL21-700ECC: Bag Clip, Front, Creme (Order black clip in place of creme)	09-77094-02	1	1	NLA	NLA	NLA
	XL21-600ECB / XL21-700ECB / XL21-700ECP: Bag Clip, Front, Black	09-77094-01	1	1			
	XL21-700ECT: Bag, Clip, Front, Black w/Silver	09-77094-04	1	1			
7	XL21-600ECC / XL21-700ECC: Bag Clip, Rear, Creme	77006-01-453	1	1			
	XL21-600ECB / XL21-700ECB / XL21-700ECP / XL21-700ECT: Bag Clip, Rear, Black	77006-01-0327	1	1			
8	Clamp, Bag Clip	77003-01-0327	1	1			
9	Bag Spring	75015-01	1	1			
10	Connector Assembly Types 1-3 order #61b also	77075-03-0327	1	1			
11	Handle, Carry, Rear, Gray	77014-01-0384	1	1			
12	Clamp, Carrying Handle	77015-01-0327	1	1			
13	Detent, Carrying Handle	77066-01	1	1			
14	Collar, Upper Handle	77048-01-0384	1	1			
15	Tube, Lower Type 1 & 2 Units Only	77002-02	1	1			
	Tube, Lower Type 3 & 4 Units Only	77002-03	1	1			
16	Label, Tube	77078-02	1	1			
17	Collar, Lower	77049-01-0384	2	1			
18	O'Ring, Tube Connector	77054-01	2	1			
19	Fan Housing	77025-01-0327	1	1	NLA	NLA	NLA
20	Fan Housing Cover/ Seal Overmold	77024-02-0327	1	1	NLA	NLA	NLA
21	Fan Kit w/Washers (See pg. 2)	09-77230-51	1	1			
22	Clamp, Scroll	77056-01	2	1			
23	XL21-600ECC / XL21-700ECC: Headlight Cover Assembly, Creme	09-77095-04	1	1			
	XL21-600ECB / XL21-700ECB / XL21-700ECP: Headlight Cover Assembly, Black	09-77095-03	1	1			
	XL21-700ECT: Headlight Cover Assembly, Chrome	09-77095-07	1	1			
24	Light Lens, Front	77035-01-455	1	1			
25	Bulb (Non LED Units Only)	77051-01	2	1			
26	XL21-600ECC / XL21-700ECC: Top Cover Assembly w/ Side Lens, Creme	09-77101-05	1	1			
	XL21-600ECB / XL21-700ECB / XL21-700ECP: Top Cover Assembly w/ Side Lens, Black	09-77101-07	1	1			
	XL21-700ECT: Top Cover Assembly w/ Side Lens, Lt. Gray	09-77101-10	1	1			

Part Numbers Listing: XL21-600ECC, XL21-600ECB, XL21-700ECC, XL21-700ECB, XL21-700ECP, XL21-700ECT
Type 1-4 Units

#	Item	Order #	Qty.	Pk.			
27	Pin Latch	52033P1	1	1			
28	XL21-600ECC / XL21-700ECC: Door, Belt Access, Creme XL21-600ECB / XL21-700ECB / XL21-700ECP: Door, Belt Access, Black XL21-700ECT: Door, Belt Access, Lt. Gray	77010-02-453	1	1			
		77010-02-0327	1	1			
		77010-02-436	1	1			
29	Detent	77017-01	1	1			
30	Reflector Assembly, Includes #25, 78, 79	09-77071-02	1	1			
30a	Light Mount (Not Shown, LED Units Only)	77247-01-0000	1	1			
31	XL21-600ECC / XL21-700ECC: Cover, Light LED, Creme XL21-600ECB / XL21-700ECB / XL21-700ECP: Cover, Light LED, Black	77034-01-453	1	1			
		77034-01-0327	1	1			
32	Bumper, Main, Gray	77012-01-0384	1	1			
33	Bumper, Side, Gray	77013-01-0384	1	1			
34	Felt Seal, Motor	75117-01M	1	100			
35	Seal, Inlet Foam, Black	77031-01	2	1			
36	Seal, Felt Inlet, White	77032-01	1	1			
37	Seal, Power Nozzle 5"	77043-01	1	1			
38	Seal Power Nozzle 1"	77043-02	1	1			
39	Strain Relief, Square	03-00494-01	1	1			
40	Motor Assembly Kit <i>Do not use with #27 (latch pin).</i>	09-77038-02	1	1			
41	Motor Brush & Spring Kit	77114-01	2	2			
42	Drive Belt, (3 Pk.)	0300604	1	3			
42a	Drive Belt, Single	75024-01	1	1			05
43	Brush Roll Assembly	79031-01	1	1			20.00
44	XL21-600ECC / XL21-700ECC: Door, Exhaust Filter, Creme XL21-600ECB / XL21-700ECB / XL21-700ECP: Door, Exhaust Filter, Black XL21-700ECT: Door, Exhaust Filter, Lt. Gray	77044-01-453	1	1			
		77044-01-0327	1	1			
		77044-01-436	1	1			
45	Housing, Exhaust Filter	77045-01-0327	1	1			
46	Exhaust Filter	77022-01	1	1			
47	Base Plate Assembly w/Squeegee, Channel, Wheels <i>Includes #48, 49, 50, 51, 52, 53, 54, 71</i>	09-77127-03	1	1			
47a	Base Plate Assembly w/ Channel, Squeegee	09-77092-05	1	1			
48	Channel/Squeegee	77046-02	1	1			
49	Sock Guard	77055-01	1	1			
50	Edge Brush Assembly, Blade	77018-01	2	1			
50a	Edge Brush Assembly, Tufted	77134-02	2	1			
51	Wheel, Front	77050-02-0327	2	1			
52	Axle, Front Wheel	03-00583-01	2	1			
53	Axle, Rear Wheel	03-00630-01	2	1			
54	Rear Wheel, Black	75187-02-0327	2	1			
55	Seal, Motor Mount	77122-01	1	1			
56	Static Wire	77027-02	1	1			
57	Switch, 2 Speed <i>Type 1 Units Only</i> Switch, 2 Speed <i>Type 2, 3 & 4 Units Only</i>	75320-01	1	1			
		77155-01	1	1			

Part Numbers Listing: XL21-600ECC, XL21-600ECB, XL21-700ECC, XL21-700ECB, XL21-700ECP, XL21-700ECT
 Type 1-4 Units

#	Item	Order #	Qty.	Pk.			
58	XL21-600ECC: Grips, Creme, Set <i>Type 1 Units Only</i> XL21-600ECC / XL21-700ECC: Grips, Creme, Set <i>Type 2, 3 & 4 Units Only</i>	Order Assy #1a 09-77208-01	1	1			
		Order Assy #1a 09-77208-02	1	1			
59	XL21-600ECB: Grips, Black, Set <i>Type 1 Units Only</i> XL21-600ECB / XL21-700ECB / XL21-700ECP / XL21-700ECT: Grips, Black, Set <i>Type 2, 3 & 4 Units Only</i>	09-77016-02	1	1			
		09-77016-03	1	1			
60	Detent, Cord Dump	77061-02	1	1			
61a	Handle Tube <i>Type 1, 2 & 3 Units Only</i>	Order 61b & 10	1	1			
61b	Handle Tube <i>Type 4 Units Only</i>	77028-03	1	1			
62	Cord Harness, 2 Conductor w/ Terminals, Black <i>Type 1 Units Only</i> Cord Harness, 2Conductor, Black <i>Type 2, 3 & 4 Units Only</i>	77111-02	1	1			
		77111-04-327	1	1			
63	Cord Set, Black <i>Type 1 Units Only</i> Cord Set, Black <i>Type 2, 3 & 4 Units Only</i>	75292-01-327	1	1			
		77132-01-327	1	1			
64	Jumper, 7 3/4" Black M/F <i>Type 1 Units Only</i>	77108-01	1	1			
65	Scent Cartridge, Vanilla, 8 Pk	FA1PK	1	8			
65a	Scent Cartridge, Mulberry, 8Pk	FA2PK	1	8			
65b	Scent Cartridge, Jasmine, 8 Pk	FA3PK	1	8			
65c	Odor Fighter Patch 3 Pack (Not Shown)	ODOR3PK	1	1			
65d	Odor Fighter Patch 25 Pack (Not Shown)	ODOR25PK	1	1			
66	XL21-600ECC / XL21-600ECB: User's Manual (Not Shown) XL21-700ECC / XL21-700ECB / XL21-700ECP / XL21-700ECT: User's Manual (Not Shown)	77080-04	1	1			
		77221-04	1	1			
78	Reflector	77053-01-0328	1	1			
79	Connector / Lamp Harness	77052-03	1	1			
80	Inlet	77076-02-0327	1	1			
81	Endcard, Right	77021-02	1	1			
83	Kit, Bag Dock, Type CC, Blue	09-75657-01	1	1			

Part Numbers Listing: XL21-750ECB, XL21-750ECT, XL21-780EYB, XL21-780EYM
Antimicrobial Type 4-5 Units

#	Item	Order #	Qty.	Pk.			
2	Bag Dock, Rear Type CC Antimicrobial	75583-02-0327	1	1			
3	Bag Dock, Hinge, Antimicrobial	75582-02-0327	1	1			
4	Dust Bag, (8 Pk.) Hypo Allergenic	CCPK8DW	1	8			
	Dust Bag, (25 Pk.) Hypo Allergenic	CCPK25DW	1	25			
	Dust Bag, (8 Pk.) Odor Control	CCPK8OF	1	8			
	Dust Bag, (25 Pk.) Odor Control	CCPK25OF	1	25			
5	XL21-750ECB: Outer Bag, Tan, Black,	77039-06	1	1			
	XL21-750 ECT: Outer Bag, Gray	77039-08	1	1			
	XL21-780EYB: Outer Bag, Legend, Black,	77039-12	1	1			
	XL21-780EYM: Outer Bag, Legend, Merlot	77039-11	1	1			
6	XL21-750ECB: Bag Clip Front Black Antimicrobial	09-77248-01	1	1			
	XL21-750ECT: Bag Clip Front Black w/Silver Antimicrobial	09-77248-02	1	1			
	XL21-780EYB: Bag Clip Front Black Antimicrobial	09-77094-04	1	1			
	XL21-780EYM: Bag Clip Front Merlot Antimicrobial	09-77094-05	1	1			
7	XL21-750ECB/XL21-780EYB: Bag Clip Rear Black Antimicrobial	77006-01-0327	1	1			
	XL21-780EYM: Bag Clip Rear Merlot Antimicrobial	77006-01-477	1	1			
8	Clamp, Bag Clip	77003-01-0327	1	1			
9	Bag Spring	75015-01	1	1			
10	Connector Assembly	77075-03-0327	1	1			
11	Handle, Carry Antimicrobial	77014-02-0384	1	1			
12	Clamp, Carrying Handle	77015-01-0327	1	1			
13	Detent, Carrying Handle	77066-01	1	1			
14	Collar, Upper Handle	77048-01-0384	1	1			
15	Tube, Lower	77002-03	1	1			
16	Label, Tube	77078-02	1	1			
17	Collar, Lower	77049-01-0384	2	1			
18	O'Ring, Tube Connector	77054-01	2	1			
19	Fan Housing	77025-01-0327	1	1	NLA	NLA	NLA
20	Fan Housing Cover/ Seal Overmold	77024-02-0327	1	1	NLA	NLA	NLA
21	Fan Kit w/Washers (See pg. 2)	09-77230-51	1	1			
22	Clamp, Scroll	77056-01	2	1			
23	XL21-750ECB/XL21-780EYB: Headlight Cover Black Antimicrobial	09-77095-08	1	1			
	XL21-750ECT: Headlight Cover Chrome Antimicrobial	09-77095-07	1	1			
	XL21-780EYM: Headlight Cover Merlot Antimicrobial	09-77095-09	1	1			
24	Light Lens, Front	77035-01-455	1	1			
25A	LED Light	75770-01	1	1			
26	XL21-750ECB/XL21-780EYB: Top Cover Assembly w/side lens Black, Antimicrobial	09-77101-11	1	1			
	XL21-750ECT: Top Cover Assembly w/side lens Light Gray, Antimicrobial	09-77101-12	1	1			
	XL21-780EYM: Top Cover Assembly w/side lens Merlot, Antimicrobial	09-77101-13	1	1			
27	Pin Latch	52033P1	1	1			
28	XL21-750ECB/XL21-780EYB: Door, Belt Access, Black Antimicrobial	77010-03-0327	1	1			
	XL21-750ECT: Door, Belt Access, Lt. Gray Antimicrobial	77010-03-436	1	1			
	XL21-780EYM: Door, Belt Access, Merlot Antimicrobial	77010-03-477	1	1			
29	Detent	77017-01	1	1			
30a	Light Mount (Not Shown, LED Units Only)	77247-01-0000	1	1			
32	Bumper, Main, Gray	77012-01-0384	1	1			
33	Bumper, Side, Gray	77013-01-0384	1	1			
34	Felt Seal, Motor	75117-01M	1	100			
35	Seal, Inlet Foam, Black	77031-01	2	1			

Part Numbers Listing: XL21-750ECB, XL21-750ECT, XL21-780EYB, XL21-780EYM Continued
Antimicrobial Type 4-5 Units

#	Item	Order #	Qty.	Pk.			
36	Seal, Felt Inlet, White	77032-01	1	1			
37	Seal, Power Nozzle 5"	77043-01	1	1			
38	Seal Power Nozzle 1"	77043-02	1	1			
39	Strain Relief, Square	03-00494-01	1	1			
40	Motor Assembly Kit <i>Do not use with #27 (latch pin).</i>	09-77038-02	1	1			
41	Motor Brush & Spring Kit	77114-01	2	2			
42	Drive Belt, (3 Pk.)	0300604	1	3			
42a	Drive Belt, Single	75024-01	1	1			
43	Brush Roll Assembly Antimicrobial	77090-03	1	1			
44	XL21-750ECB/XL21-780EYB: Door, Exhaust Filter, Black Antimicrobial	77044-01-0327	1	1			
	XL21-750ECT: Door, Exhaust Filter, Lt. Gray Antimicrobial	77044-01-436	1	1			
	XL21-780EYM: Door, Exhaust Filter, Merlot Antimicrobial	77044-01-477	1	1			
45	Housing, Exhaust Filter	77045-01-0327	1	1			
46	Exhaust Filter	77022-01	1	1			
47	Complete Base Plate Assembly w/Squeegee, Channel, Wheels <i>Includes #48, 49, 50a, 51, 52, 53, 54, 71 Antimicrobial</i>	09-77127-04	1	1			
47a	Base Plate Assembly Antimicrobial	09-77092-06	1	1			
48	Channel/Squeegee	77046-02	1	1			
49	Sock Guard	77055-01	1	1			
50a	Edge Brush Assembly	77134-02	2	1			
51	Wheel, Front	77050-02-0327	2	1			
52	Axle, Front Wheel	03-00583-01	2	1			
53	Axle, Rear Wheel	03-00630-01	2	1			
54	Rear Wheel, Black	75187-02-0327	2	1			
55	Seal, Motor Mount	77122-01	1	1			
56	Static Wire	77027-02	1	1			
57	Switch, 2 Speed	77155-01	1	1			
58	Grips, Black, Set Antimicrobial	09-77208-03	1	1			
59	Cord Dump, Black Antimicrobial	09-77016-05	1	1			
60	Detent, Cord Dump	77061-02	1	1			
61b	Handle Tube	77028-03	1	1			
62	Cord Harness, 2Conductor, Black	77111-04-327	1	1			
63	Cord Set, Black	77132-01-327	1	1			
65	Scent Cartridge, Vanilla, 8 Pk	FA1PK	1	8			
65a	Scent Cartridge, Mulberry, 8Pk	FA2PK	1	8			
65b	Scent Cartridge, Jasmine, 8 Pk	FA3PK	1	8			
78	Reflector	77053-01-0328	1	1			
79	Connector / Lamp Harness	77052-03	1	1			
80	Inlet	77076-02-0327	1	1			
81	Endcard, Right	77021-02	1	1			
83	Kit, Bag Dock, Type CC, Blue	09-75657-01	1	1			
88	XL21-780EYB: Grip Set, Y Handle, Black Antimicrobial	09-77208-04	1	1			
	XL21-780EYM: Grip Set, Y Handle, Merlot Antimicrobial	09-77208-05	1	1			
89	XL21-780EYB: Cord Wrap and Post Assembly Black	09-75185-15	1	1			
	XL21-780EYM: Cord Wrap and Post Assembly Merlot	09-75185-27	1	1			

PLATINUM SERIES UPRIGHTS

Part Numbers Listing: U7000ECR, U7000ECB, U7000ECP, U7100ECB

Antimicrobial Type 5 Units

#	Item	Order #	Qty.	Pk.			
2	Bag Dock, Rear Type CC	75583-02-0327	1	1			
3	Bag Dock, Hinge	75582-02-0327	1	1			
4	Dust Bag, (8 Pk.) Hypo Allergenic	CCPK8DW	1	8			
	Dust Bag, (25 Pk.) Hypo Allergenic	CCPK25DW	1	25			
	Dust Bag, (8 Pk.) Odor Control	CCPK8OF	1	8			
	Dust Bag, (25 Pk.) Odor Control	CCPK25OF	1	25			
5	U7000ECB: Outer Bag, Dark Blue HEPA, Hypo	76062-03	1	1			
	U7000ECR: Outer Bag, Charcoal HEPA, Hypo	76062-04	1	1			
	U7000ECP: Outer Bag, Komen HEPA, Hypo	76004-06	1	1			
	U7100ECB: Outer Bag, Platinum Plus HEPA, Hypo	76062-12	1	1			
8	Clamp, Bag Clip	77003-01-0327	1	1			
9	Bag Spring	75015-01	1	1			
10	Connector Assembly	77075-03-0327	1	1			
11	Handle, Carry	77014-01-0384	1	1			
12	Clamp, Carrying Handle	77015-01-0327	1	1			
13	Detent, Carrying Handle	77066-01	1	1			
14	Collar, Upper Handle	77048-01-0327	1	1			
15	Tube, Lower	77002-03	1	1			
16	Label, Tube	77078-02	1	1			
17	Collar, Lower	77049-01-0327	2	1			
18	O'Ring, Tube Connector	77054-01	2	1			
21	Fan Kit w/Washers (See pg. 2)	09-77230-51	1	1			
22	Clamp, Scroll	77056-01	2	1			
25A	LED Light (LED Units Only)	75770-01	1	1			
26	U7000ECB/U7000ECP: Top Cover/Belt Door Assembly Black	09-79018-01	1	1			
	U7000ECR: Top Cover/Belt Door Assembly Charcoal	09-79018-02	1	1			
	U7100ECB: Top Cover/Belt Door Assembly Platinum Plus	09-79018-03	1	1			
27	Pin Latch	52033P1	1	1			
28	U7000ECB/U7000ECP: Belt Door Black	79078-01-0327	1	1			
	U7000ECR: Belt Door Charcoal	79078-01-473	1	1			
	U7100ECB: Belt Door Platinum Plus	79078-02-0327	1	1			
29	Detent	77017-01	1	1			
30a	Light Mount (Not Shown, LED Units Only)	77247-01-0000	1	1			
32	Bumper, Main, Gray	77012-01-0384	1	1			
33	Bumper, Side, Gray	77013-01-0384	1	1			
34	Felt Seal, Motor	75117-01M	1	100			
35	Seal, Inlet Foam, Black	77031-01	2	1			
36	Seal, Felt Inlet, White	77032-01	1	1			
37	Seal, Power Nozzle 5"	77043-01	1	1			
38	Seal Power Nozzle 1"	77043-02	1	1			
39	Strain Relief, Square	03-00494-01	1	1			
40	Motor Assembly Kit <i>Do not use with #27 (latch pin).</i>	09-77038-02	1	1			
41	Motor Brush & Spring Kit	77114-01	2	2			
42	Drive Belt, (3 Pk.)	0300604	1	3			
42a	Drive Belt, Single	75024-01	1	1			
43	Brush Roll Assembly	77090-03	1	1			

PLATINUM SERIES UPRIGHTS

Part Numbers Listing: U7000ECR, U7000ECB, U7000ECP, U7100ECB

Antimicrobial Type 5 Units

#	Item	Order #	Qty.	Pk.			
47	Complete Base Plate Assembly w/Squeegee, Channel, Wheels <i>Includes #48, 49, 50a, 51, 52, 53, 54, 71</i>	09-77127-04	1	1			
48	Channel/Squeegee	77046-02	1	1			
49	Sock Guard	77055-01	1	1			
50a	Edge Brush Assembly	77134-02	2	1			
51	Wheel, Front	77050-02-0327	2	1			
52	Axle, Front Wheel	03-00583-01	2	1			
53	Axle, Rear Wheel	03-00630-01	2	1			
54	Rear Wheel, Black	75187-02-0327	2	1			
55	Seal, Motor Mount	77122-01	1	1			
57	Switch, 2 Speed	77155-01	1	1			
58	Grips, Black, Set	09-77208-03	1	1			
59	Cord Dump, Black	09-77016-03	1	1			
60	Detent, Cord Dump	77061-02	1	1			
61b	Handle Tube	77028-03	1	1			
62	Cord Harness, 2Conductor, Black	77111-04-327	1	1			
63	Cord Set, Black	77132-01-327	1	1			
	U7100ECB: Cord Set, Black, 36' Platinum Plus	79027-01-327	1	1			
80	Inlet	77076-02-0327	1	1			
81	Endcard, Right	77021-02	1	1			
83	Kit, Bag Dock, Type CC, Blue	09-75657-01	1	1			
86	Bag Stiffener with Strap	09-76034-02	1	1			
87	U7000ECB: Fascia Dark Blue/Black	79001-01	1	1			
	U7000ECR: Fascia Warm Red	79001-02	1	1			
	U7000ECP: Fascia Komen	79001-03	1	1			
	U7100ECB: Fascia Platinum Plus	79001-04	1	1			

PILOT SERIES UPRIGHT
Part Numbers Listing: U7200ECB, U7300ECB

Antimicrobial Type 6 Units

US

#	Item	Order #	Qty.	Pk.			
2	Bag Dock, Rear Type CC	75583-02-0327	1	1			
3	Bag Dock, Hinge	75582-02-0327	1	1			
4	Dust Bag, (8 Pk.) Hypo Allergenic	CCPK8DW	1	8			
	Dust Bag, (25 Pk.) Hypo Allergenic	CCPK25DW	1	25			
	Dust Bag, (8 Pk.) Odor Control	CCPK8OF	1	8			
	Dust Bag, (25 Pk.) Odor Control	CCPK25OF	1	25			
5	U7200ECB: Outer Bag, U7300ECB: Outer Bag,	79046-01 79046-02	1 1	1 1			
10	Connector Assembly	77075-03-0327	1	1			
11	Handle, Carry	77014-01-0384	1	1			
12	Clamp, Carrying Handle	77015-01-0327	1	1			
13	Detent, Carrying Handle	77066-01	1	1			
14	Collar, Upper Handle	77048-01-0327	1	1			
15	Tube, Lower	79045-01	1	1			
16	Label, Tube	77078-02	1	1			
17	Collar, Lower	77049-01-0327	2	1			
18	O'Ring, Tube Connector	77054-01	2	1			
21	Fan Kit w/Washers (See pg. 2)	09-79066-01	1	1	13.34		
25A	LED Light (LED Units Only)	75770-01	1	1			
26	U7200ECB: Top Cover/Belt Door Assembly Black	09-79051-01	1	1			
	U7300ECB: Top Cover/Belt Door Assembly Black	09-79051-02	1	1			
28	Belt Door Black	79078-01-0327	1	1			
29	Detent	77017-01	1	1			
32	Bumper, Main, Gray	77012-01-0384	1	1			
33	Bumper, Side, Gray	77013-01-0384	1	1			
34	Felt Seal, Motor	75117-01M	1	100			
35	Seal, Inlet Foam, Black	77031-01	2	1			
36	Seal, Felt Inlet, White	77032-01	1	1			
37	Seal, Power Nozzle 5"	77043-01	1	1			
38	Seal Power Nozzle 1"	77043-02	1	1			
39	Strain Relief, Square	03-00655-01	1	1			
40	Motor Assembly Kit	09-77038-02	1	1			
41	Motor Brush & Spring Kit	77114-01	2	2			
42	Drive Belt, (3 Pk.)	0300604	1	3			
42a	Drive Belt, Single	75024-01	1	1			
43	Brush Roll Assembly	79031-01	1	1			
47	Complete Base Plate Assembly w/Squeegee, Channel, Wheels <i>Includes #48, 49, 50a, 51, 52, 53, 54, 71</i>	09-79049-51	1	1			
48	Channel/Squeegee	77046-01	1	1			
49	Sock Guard	77055-01	1	1			
50a	Edge Brush Assembly	77134-02	2	1			
51	Wheel, Front	77050-02-0327	2	1			
52	Axle, Front Wheel	03-00583-01	2	1			
53	Axle, Rear Wheel	03-00630-01	2	1			
54	Rear Wheel, Black	75187-02-0327	2	1			

PILOT SERIES UPRIGHT
Part Numbers Listing: U7200ECB, U7300ECB
Antimicrobial Type 6 Units

#	Item	Order #	Qty.	Pk.			
57	Switch, 2 Speed	77155-01	1	1			
58	Grips, Black, Set	09-77208-03	1	1			
59	Cord Dump, Black	09-77016-03	1	1			
60	Detent, Cord Dump	77061-02	1	1			
61b	Handle Tube	77028-03	1	1			
62	Cord Harness, 2Conductor, Black	77111-04-327	1	1			
63	U7200ECB: Cord Set, Black, 30'	77132-01-327	1	1			
	U7300ECB: Cord Set, Black, 36' Platinum Plus	79027-01-327	1	1			
80	Inlet	77076-02-0327	1	1			
81	Endcard, Right	77021-02	1	1			
83	Kit, Bag Dock, Type CC, Black	09-75657-02	1	1			
87	U7200ECB: Fascia Black/Blue	79041-01	1	1			
	U7300ECB: Fascia Silver/Black	79041-02	1	1			
90	U7200ECB: Rear Joint Cover Blue	09-79048-01	1	1			
	U7300ECB: Rear Joint Cover Black	09-79048-02	1	1			
91	Joint Assembly <i>Includes Left & Right Joints and Rope Gasket</i>	09-79067-01	1	1			
92	Clamp Assembly <i>Includes Spacer</i>	09-79038-51	1	1			
93	Tune Up Kit <i>Includes Magnalube, Rope Gasket and Joint Seals for 5 tune ups</i>	09-79068-01	1	1			

Troubleshooting

Notice: *Make sure the unit is unplugged before removing any part off the unit.*

1. Problem Being Checked:

- | |
|-------------|
| a. Solution |
|-------------|

1. Dust Blowing from Bottom of Unit:

- a. Change bag ensuring it's properly installed on connector deflector.
- b. Remove lower tube and check for clog. Remove any debris.
- c. Remove baseplate and check inlet for clog. Remove any debris.

2. Unit not picking up:

- a. Remove lower tube and check for clog.
- b. Check connector deflector for clog.
- c. Remove baseplate and check inlet for clog.
- d. Change bag ensuring it's properly installed on connector deflector.
- e. Make sure belt is installed properly.

3. Brush Roll Not Spinning / Belt Breaks:

- a. Belt is older than six months and slipping or may not be installed properly. Install new belt.
- b. Bearings in brush roll worn, change brush roll.

4. Sparking from Plug to Handle (Type 1 units only):

- a. Make sure plug fits firmly into handle.

5. Unit Dead:

- a. Make sure unit is plugged into working outlet.
- b. Check switch for failure. If bad, replace switch.
- c. Check to see if motor wires are plugged and not loose.
- d. Check motor brushes and motor brush springs to make sure they have good contact.
- e. Check motor for failure. If bad, replace motor.
- f. Check cord for failure. If bad, replace cord.

6. Parts Falling off Baseplate:

- a. If wheels come off, replace wheels.
- b. If channel, micro sweep blade, or wireform come off, replace missing parts or entire baseplate assembly.

7. Noisy Unit:

- a. Check to see if brush roll has bad bearings. If so replace brush roll.
- b. Check to see if an object is stuck in the fan housing.
- c. Check fan in fan housing. Make sure there are no broken blades. Replace if broken.
- d. Check for stuffing in the fan housing.

8. Unit Will Not Stand Up:

- a. Make sure unit has plastic detent on housing.

An Oreck Authorized Service Center should do all technical servicing.