

ORECK® XI

SIMPLY AMAZING®

Service Parts List



Carpet Sweepers

Models

23T, 23TS, BR2000, BR2200,
GN23TX, S5323, 5323, JL23TS

PR2400, PR2400PI, S5325, 5325,
PR2600

PR3000, PR3000PI, S5327, 5327,
PR3200

3M Models

PR4500, PR4500BL, PR4500FR

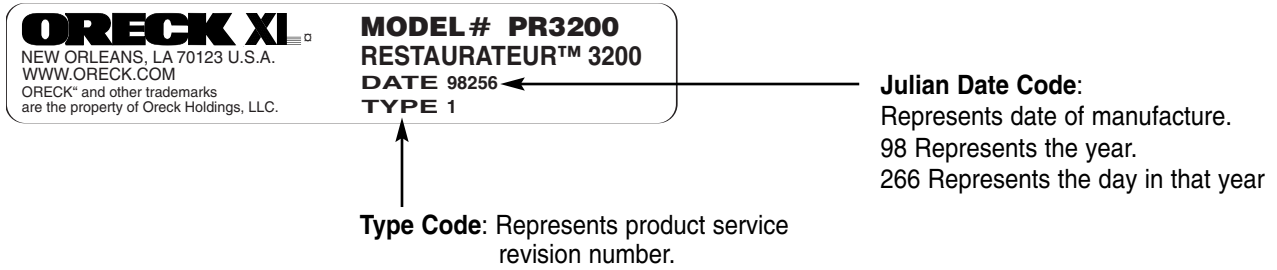
PR6000, PR6000AU, PR6000BL,
PR6000FR

REV J., Please disregard all earlier versions.

Service Information

- Old-style Oreck Tidy Up (TIDUP) and Dual Sweeps (TU2062) parts are no longer available.

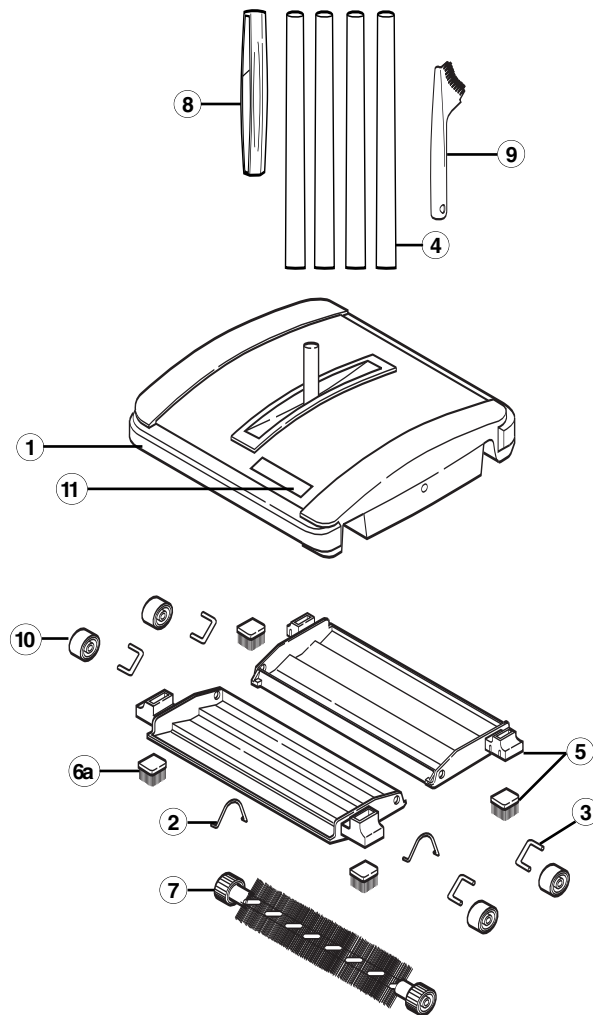
Data Label



Part Numbers Listing: 23T, 23TS, BR2000, BR2200, GN23TX, S5323, 5323, JL23TS

#	Item	Order #			
1	Bumper	80022-01-0327			
2	Shutter Spring	80000-01			
3	Swing Arm Axle	80186-01			
4	Handle Set (4 Sections), Black	80062-01			
5	Dust Pan w/corner brushes, Black	09-80008-02			
6	Corner Brush, Bristles	80003-01			
7	Rotorbrush	23TTS-1			
8	Handle Grip, Black	80067-01-0327			
9	Brush Cleaner	80010-01-0327			
10	Wheel	80039-01			
11	Label - BR2000, BR2200	80220-01			

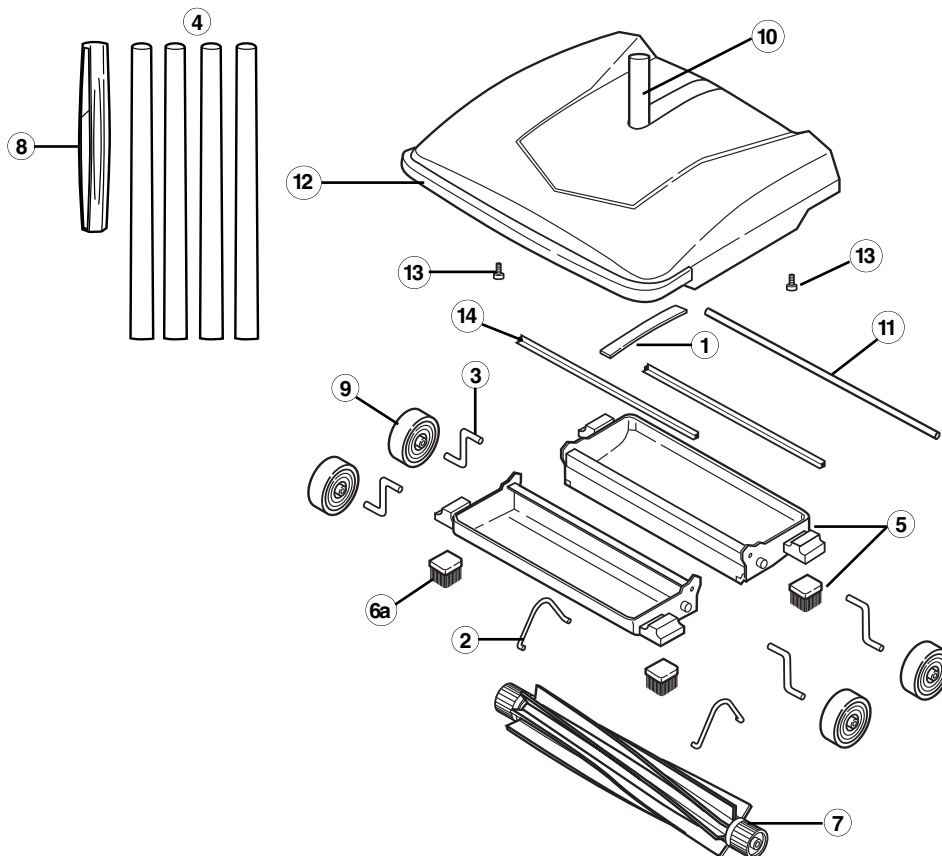
Parts Diagram



Part Numbers Listing: PR2400, PR2400PI, S5325, 5325, PR2600

#	Item	Order #			
1	Handle Spring, Black	80099-01			
2	Shutter Spring	80079-01			
3	Swing Arm Axle	80086-01			
4	Handle Set (4 Sections), - Silver	80088-01			
5	Dust Pan w/corner brushes - Black	09-80072-01			
6a	Corner Brush	80078-01			
6b	Corner Rubber Wipers	80066-01-0327			
7	Rotorblade	2400-1			
8	Handle Grip, - Black	80067-01-0327			
9	Wheel	80068-01			
10	Joint (Handle Connector Stud)	80093-01			
11	Stabilizer Bar	80065-01			
12	Bumper	80084-01-0327			
13	Screws, #6 X 3/8" (100 Pack)	03-00447-01M			
14	Debris Stopper	80077-01-0327			

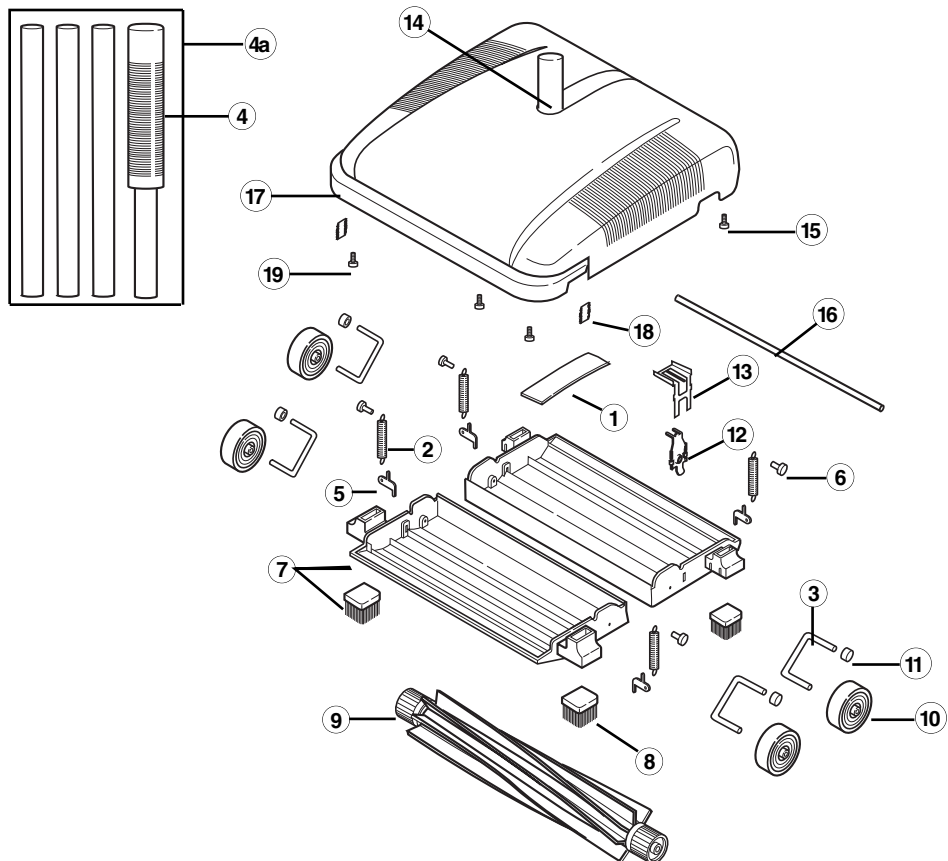
Parts Diagram



Part Numbers Listing: PR3000, PR3000PI, S5327, 5327, PR3200

#	Item	Order #			
1	Handle Spring, Black	80114-01			
2	Shutter Spring	80106-01			
3	Swing Arm Axle	80112-01			
4	Grip, Handle, Black	80116-01-0327			
4a	Handle Set (4 Sections w/Grip)	09-80146-01			
5	Hook for Shutter Spring	80124-01			
6	Rivet for Shutter Spring	03-00490-01M			
7	Dust Pan w/corner brushes	09-80134-01			
8	Corner Brush	80113-01			
9	Rotorblade	3000-2			
10	Wheel	80148-01			
11	Axle Cap	80120-01			
12	Rotorblade Holder	80109-01			
13	Spring Bracket	80122-02			
14	Joint (Handle Connector Stud)	80125-01			
15	Screws, #7 x 3/8' w/ #6 Head	03-00475-01M			
16	Stabilizer Bar	80104-01			
17	Bumper	80115-01-0327			
18	Bumper Band Stopper	80123-01			
19	Screws, #6 X 7/16" (100 Pack)	03-00492-01M			

Parts Diagram



Part Numbers Listing: 3M - PR4500, PR4500BL, PR4500FR

#	Item	Order #
1	Grip, Handle, Black	80116-01-0327
1a	Complete Handle Assembly - 6320	09-80146-01
4	Dust Bin Assembly - 4534	80044-01-0327
5	Rotorblade Assembly - 4560	4500-1
6	Wheel for 4564	80050-01
7	Axle for 4564	80056-01

Part Numbers Listing: 3M - PR6000, PR6000AU, PR6000BL, PR6000FR

#	Item	Order #
1	Grip, Handle, Black	80116-01-0327
1a	Complete Handle Assembly - friction fit - 6320	09-80146-01
2	Dust Bin Assembly - 6334	80159-03-0327
3	Rotorblade Assembly - 6360	6000-1
4	Axle Cap for 6365, 6366, 6367	80120-01
5	Swing Arm Axle for 6366, 6367	80157-01
6	Large Wheel for 6366	80148-01
7	Small Wheel for 6367, 6368	80176-01
8	CS Stopper Buckle Ring for 6368	80168-01
9	Swing Arm Axle for 6368	80112-01

