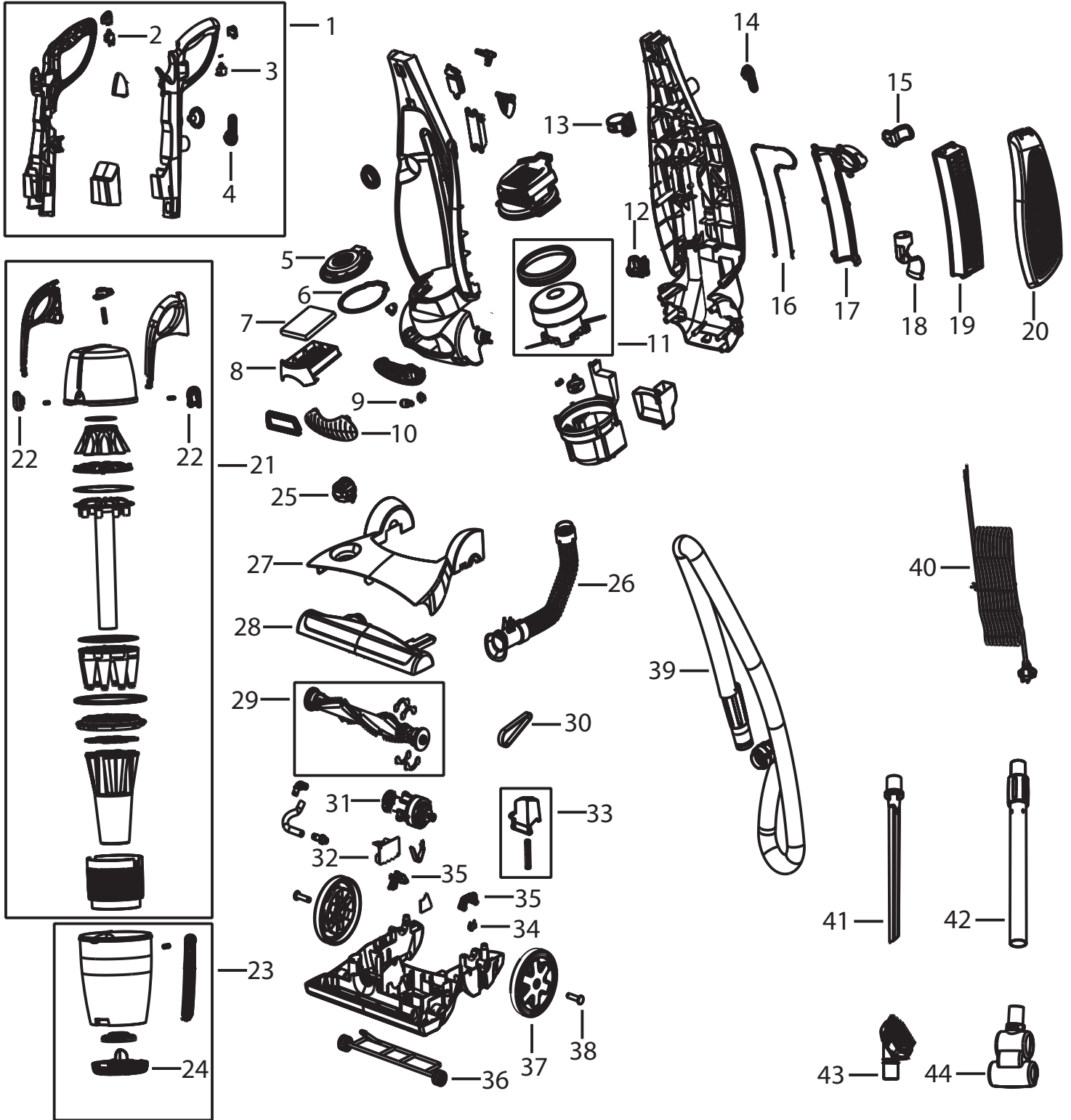




Heavy Duty Vac

50C9, 93Z6 Series



Bissell Homecare, Inc. (U.S.)
 Phone: 1-800-457-1509
 Fax: 1-800-517-9535
 partner.bissell.com

Bissell Canada
 Phone: 1-800-374-3196
 Fax: 1-800-517-9535
 Email: Schematics@bissell.com

Issued: January 2009

Revised: April 2011

© 2009 BISSELL Homecare, Inc.

Heavy Duty Vacuum™

50C9, 93Z6 Series



KEY	PART NO	DESCRIPTION
1	2031442	Handle Assembly w/ Cord - Black (50C9)
1	2031617	Handle Assembly w/ Cord - Black (50C91)
2	2031316	Switch - Power
3	2031317	Switch - Brush
4	2031315	Cord Wrap
5	2031378	UV Reflector
6	2031308	Cyclone Gasket
7	2031374	Pre Motor Filter
8	2031352	Pre Motor Filter Tray
9	2031377	Light Bulb
10	2031354	Headlight Lens
11	2031360	Vacuum Motor w/ Gasket & Isolator
12	2031443	Lower Wand Support
13	2031444	Upper Wand Support
14	2031315	Cord Wrap
15	2031445	Hose Clip
16	2031379	Rope Gasket - Diverter Cover
17	2031361	Diverter Cover
18	2031446	Hose Guide
19	3282	HEPA Exhaust Filter - 6/CS
20	2031447	Filter Door
21	2031448	Upper Cyclone Assembly
22	2031449	Cyclone Latches & Springs
23	2031450	Dirt Bin & Debris Door Assembly
24	2031299	Debris Door >07018
25	2031320	Height Adjustment Knob
26	2031348	Hose Assembly - Foot
27	2031451	Top Cover
28	2031452	Brush Window
29	2031328	Brush w/Felt Gaskets
30	2031329	Belt
31	2031350	Brush Motor
32	2031349	Circuit Board
33	2031340	Detent Pedal
34	2031347	Microswitch
35	2031346	Body Pivot Clamp w/ Screw
36	2031319	Front Wheel Assembly
37	2031341	Rear Wheel
38	2031345	Axle w/ E-Ring
39	2031359	Hose Assembly - Foot
40	2031318	Cord
41	2031363	Crevice Tool
42	2031364	Telescoping Wand - Plastic
42	2031373	Telescoping Wand - Metal
43	2031434	Combo Upholstery Tool
44	2031362	Turbobrush
XX	2031372	Turbobrush w/Microban
XX	2031367	Pet Wide Turbobrush
XX	2031366	Flexible Crevice Tool
XX	2031382	Contour Tool
XX	2031376	Handle Screw pack
XX	1104073	User's Guide

BISSELL Homecare, Inc. (U.S.)
 Phone: 1-800-457-1509
 Fax: 1-800-517-9535
 partner.bissell.com

Bissell Canada
 Phone: 1-800-374-3196
 Fax: 1-800-517-9535
 Email: Schematics@bissell.com

Issued: December 2008
 Revised: April 2011
 © 2008 BISSELL Homecare Inc.