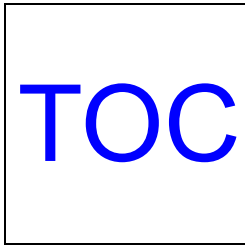




TABLE OF CONTENTS



SECTION 1 - CENTRAL VACUUM SYSTEM

MODEL S5610.....	1-2
MODEL S5620.....	1-2
MODEL S5630.....	1-2
MODEL S5640.....	1-2
MODEL S5615 - HUSH.....	1-7
MODEL S5626 - HUSH.....	1-7
MODEL S5636 - HUSH.....	1-7
MODEL S5629080 - PLATINUM.....	1-11
MODEL SH80005CA - WINDTUNNEL.....	1-11
MODEL SH80015COM - WINDTUNNEL.....	1-11
MODEL SH80720: SH80520-SH80420 - WINDTUNNEL.....	1-13
MODEL SH80730DS: SH80530-SH80310 - HUSH.....	1-17
MODEL SH80740DS: SH80540-SH80410.....	1-21
MODEL SH80750: SH80550-SH80450 - WINDTUNNEL.....	1-25
MODEL SH80760CA: SH80560-SH80460 - WINDTUNNEL.....	1-29
MODEL SH80770: SH80570-SH80470 - WINDTUNNEL.....	1-33

KITS

MODEL SH80420 - ACCESSORY.....	1-15
MODEL S5541 - INSTALLATION.....	1-17
MODEL S5694 - ACCESSORY.....	1-19
MODEL SH80010 - ACCESSORY.....	1-19
MODEL S5720 - ACCESSORY.....	1-19
MODEL S5629080 - P.N.....	1-21
MODEL SH80010 - P.N.....	1-21
MODEL SH80015 - P.N.....	1-21
MODEL SH80720 - P.N.....	1-21
MODEL S5676 - ACCESSORY.....	1-24
MODEL S5678 - ACCESSORY.....	1-26
MODEL S5678 - P.N.....	1-28
MODEL S5682 - ACCESSORY.....	1-30
MODEL S5682 - P.N.....	1-32
MODEL S5684 - ACCESSORY.....	1-34
MODEL S5684 - P.N.....	1-36
MODEL S5686 - ACCESSORY.....	1-38
MODEL S5688 - ACCESSORY.....	1-38
MODEL S5686 - P.N.....	1-40
MODEL S5688 - P.N.....	1-40
MODEL S5716 - ACCESSORY.....	1-42

ROUGH-IN KIT

MODEL S5715.....	1-44
------------------	------

FINISH KIT

MODEL S5715010.....	1-44
---------------------	------

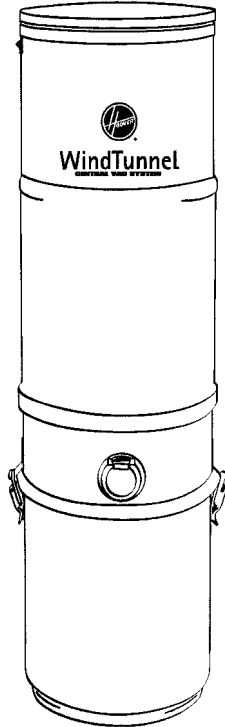
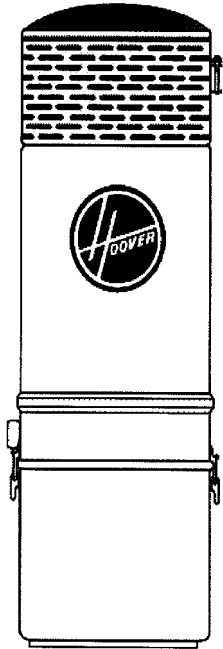


CENTRAL VACUUM SYSTEM



1

SECTION CONTENTS



MODEL NO.	PAGE NO.
S5610	1-2 THRU 1-6
S5620	1-2 THRU 1-6
S5630	1-2 THRU 1-6
S5640	1-2 THRU 1-6
S5615	1-7 THRU 1-10
S5626	1-7 THRU 1-10
S5636	1-7 THRU 1-10
S5629080	1-11 THRU 1-12
SH80005CA	1-11 THRU 1-12
SH80015COM	1-11 THRU 1-12
SH80720 - SH80520 - SH80420	1-13 THRU 1-16
SH80730DS - SH80530 - SH80310	1-17 THRU 1-20
SH80740DS - SH80540 - SH80410	1-21 THRU 1-24
SH80750 - SH80550 - SH80450	1-25 THRU 1-28
SH80760CA - SH80560 - SH80460	1-29 THRU 1-32
SH80770CA - SH80570 - SH80470	1-33 THRU 1-36
KITS	
S5541 - INSTALLATION	1-17 THRU 1-18
S5694 - ACCESSORY	1-19 THRU 1-20
SH80010 - ACCESSORY	1-19 THRU 1-20
S5720 - ACCESSORY	1-19 THRU 1-20
S5629080 - P.N.	1-21 THRU 1-23
SH80010 - P.N.	1-21 THRU 1-23
SH80015 - P.N.	1-21 THRU 1-23
SH80720 - P.N.	1-21 THRU 1-23
S5676 - ACCESSORY	1-24 THRU 1-25
S5678 - ACCESSORY	1-26 THRU 1-27
S5678 - P.N.	1-28 THRU 1-29
S5682 - ACCESSORY	1-30 THRU 1-31
S5682 - P.N.	1-32 THRU 1-33
S5684 - ACCESSORY	1-34 THRU 1-35
S5684 - P.N.	1-36 THRU 1-37
S5686 - ACCESSORY	1-38 THRU 1-39
S5688 - ACCESSORY	1-38 THRU 1-39
S5686 - P.N.	1-40 THRU 1-41
S5688 - P.N.	1-40 THRU 1-41
S5716 - ACCESSORY	1-42 THRU 1-43
ROUGH-IN KIT	
S5715	1-44
FINISH KIT	
S5715010	1-44

MODEL NO.

S5610
S5615
S5620
S5626
S5630
S5636
S5640
S5629080
SH80005CA
SH80015COM
SH80720
SH80520-SH80420
SH80730DS
SH80530-SH80310
SH80740DS
SH80540-SH80410
SH80750
SH80550-SH80450
SH80760CA
SH80560-SH80460
SH80770CA
SH80570-SH80470

KITS

S5541
S5676
S5678
S5682
S5684
S5686
S5688
S5694
S5716
S5720
SH80010
SH80420
S5715
S5715010

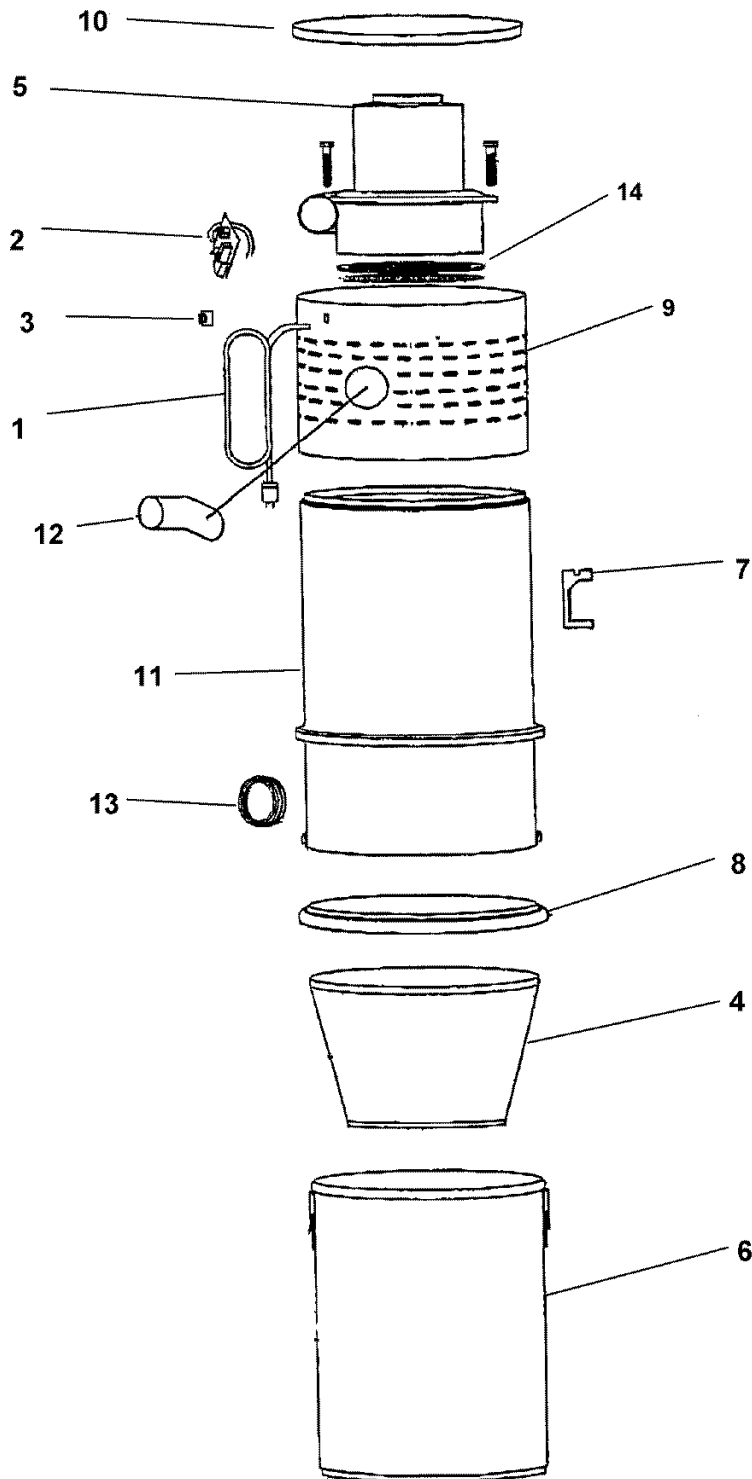
- * PRICING, SPECIFICATION'S, AND PRODUCT AVAILABILITY ARE SUBJECT TO CHANGE WITHOUT NOTICE. PRICING IS FOB FACTORY, CANTON, OH
- * ALL INFORMATION CONTAINED WITHIN THIS SERVICE MANUAL IS PROPRIETARY INFORMATION OF TTI FLOOR CARE NORTH AMERICA.
- * WARNING: TO REDUCE THE RISK OF ELECTRICAL SHOCK OR INJURY, ALWAYS DISCONNECT THE APPLIANCE CORD FROM THE ELECTRICAL OUTLET OR REMOVE BATTERY PRIOR TO SERVICING THE UNIT.



CENTRAL VACUUM SYSTEM

1

ASSEMBLY SCHEMATIC



MODEL NO.

- S5610
- S5620
- S5630
- S5640



CENTRAL VACUUM SYSTEM

1

PARTS LISTING

MODEL No.

ITEM	PART NUMBER	MODELS TO FIT	PART DESCRIPTION
1	59132011	S5610, S5620, S5630, S5640	POWER CORD
2	59132006	S5610, S5620, S5630, S5640	CONTROL MODULE
3	59132005	S5610, S5620, S5630, S5640	ROCKER SWITCH
4	59132001	S5610, S5620	CLOTH FILTER - 11.5"
	59132002	S5630, S5640	CLOTH FILTER - 14"
5	59132007	S5610	MOTOR - 2 STAGE
	59132009	S5610	MOTOR BRUSH
	59132008	S5620, S5630	MOTOR - 3 STAGE - 5.7" DIA
	59132010	S5620, S5630	MOTOR BRUSH
	59132025	S5640	MOTOR - 3 STAGE - 7.2" DIA
6	59132020	S5610, S5620	DUST CONTAINER - 11"
	59132021	S5630, S5640	DUST CONTAINER - 14"
7	59132022	S5610, S5620, S5630, S5640	WALL BRACKET
8	59132023	S5610, S5620	GASKET - 11.5"
	59132024	S5630, S5640	GASKET - 14.5"
9	59132032	S5610	SHROUD
	59132029	S5620	SHROUD
	59132030	S5630	SHROUD
	59132031	S5640	SHROUD
10	59132036	S5610, S5620	CANISTER COVER - 11"
	59132037	S5630, S5640	CANISTER COVER - 14"
11	59132034	S5610, S5620	CANISTER BODY - 11"
	59132035	S5630	CANISTER BODY - 14"
	59132046	S5640	CANISTER BODY - 14"
12	59132038	S5610, S5620, S5630, S5640	TANGENTIAL ADAPTOR
13	59132039	S5610, S5620, S5630, S5640	INTAKE GROMMET
14	59132040	S5610, S5620, S5630	MOTOR GASKET - SMALL
	59132041	S5640	MOTOR GASKET - LARGE

S5610
S5620
S5630
S5640



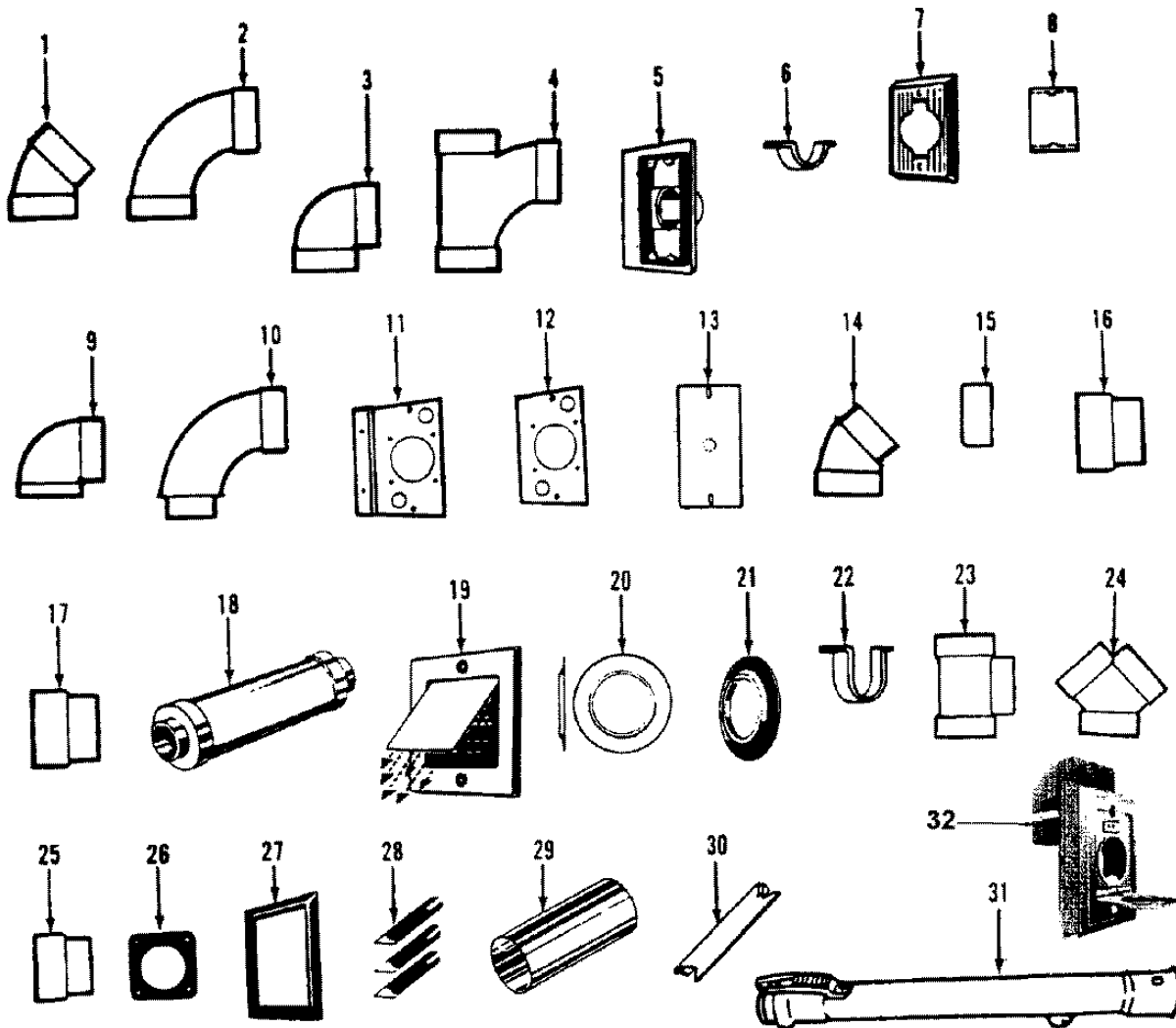
CENTRAL VACUUM SYSTEM

1

ASSEMBLY SCHEMATIC

MODEL NO.

S5610
S5620
S5630
S5640





CENTRAL VACUUM SYSTEM

1

PARTS LISTING

MODEL No.

S5610
S5620
S5630
S5640

ITEM	PART NUMBER	MODELS TO FIT	PART DESCRIPTION
1	33211001	S5610, S5620, S5630, S5640	ELBOW - 45 DEGREE
2	33215002	S5610, S5620, S5630, S5640	SWEEP ELBOW - 90 DEGREE
3	33215003	S5610, S5620, S5630, S5640	SHORT ELBOW - 90 DEGREE
4	38681006	S5610, S5620, S5630, S5640	SWEEP ELBOW TEE - 90 DEGREE
5	38719005	S5610, S5620, S5630, S5640	MOUNTING PLATE
6	48615015	S5610, S5620, S5630, S5640	PIPE STRAP
7	43526001	S5610, S5620, S5630, S5640	INLET VALVE
	43526007	S5610, S5620, S5630, S5640	INLET VALVE - WHITE
	43526014	S5610, S5620, S5630, S5640	INLET VALVE - BLACK
8	32286011	S5610, S5620, S5630, S5640	STOP COUPLING
9	10141001	S5610, S5620, S5630, S5640	SHORT ELBOW SPECIAL - 90 DEGREE
10	10096001	S5610, S5620, S5630, S5640	SWEEP SPIGOT ELBOW - 90 DEGREE
11	10121001	S5610, S5620, S5630, S5640	STEEL MOUNTING PLATE - WIDE
12	10121002	S5610, S5620, S5630, S5640	STEEL MOUNTING PLATE - NARROW
13	10141003	S5610, S5620, S5630, S5640	PLASTER GUARD
14	10096002	S5610, S5620, S5630, S5640	SPIGOT - 45 DEGREE
15	10019002	S5610, S5620, S5630, S5640	VAC CAP
16	10129001	S5610, S5620, S5630, S5640	PIPE ADAPTOR - 1-3/4" TO 2"
17	10129002	S5610, S5620, S5630, S5640	PIPE ADAPTOR - 1-13/16" TO 2"
18	10098001	S5610, S5620, S5630, S5640	VAC MUFFLER
19	10102001	S5610, S5620, S5630, S5640	EXHAUST VENT CAP
20		S5610, S5620, S5630, S5640	PIPE COLLAR
21	32162010	S5610, S5620, S5630, S5640	PIPE COLLAR
22	36171019	S5610, S5620, S5630, S5640	FITTING STRAP
23	38681009	S5610, S5620, S5630, S5640	SHORT TEE
24	38681008	S5610, S5620, S5630, S5640	DOUBLE FITTING
25	32175021	S5610, S5620, S5630, S5640	VALVE EXTENSION
26	38783016	S5610, S5620, S5630, S5640	FLANGE FITTING GASKET
27	38719015	S5610, S5620, S5630, S5640	VALVE TRIM PLATE - WHITE
	38719018	S5610, S5620, S5630, S5640	VALVE TRIM PLATE
	38719019	S5610, S5620, S5630, S5640	VALVE TRIM PLATE
28	59133226	S5610, S5620, S5630, S5640	PIPE CUTTER BLADES
29	31745005	S5610, S5620, S5630, S5640	METAL FIREWALL PIPE - 6"
30	59133225	S5610, S5620, S5630, S5640	NAIL GUARD
31	43453038	S5610, S5620, S5630, S5640	EXTENSION TUBE ASSEMBLY - 17"
32	43526015	S5610, S5620, S5630, S5640	PLATE / VALVE ASSEMBLY



CENTRAL VACUUM SYSTEM

1

PARTS LISTING

ITEM	PART NUMBER	MODELS TO FIT	PART DESCRIPTION
32	43526013	S5610, S5620, S5630, S5640	PLATE / VALVE ASSEMBLY
	31748028	S5610, S5620, S5630, S5640	PVC PIPE - 2" OD X 5' LONG WHITE
	40300066	S5610, S5620, S5630, S5640	VAC PAN - WHITE

MODEL No.

S5610

S5620

S5630

S5640

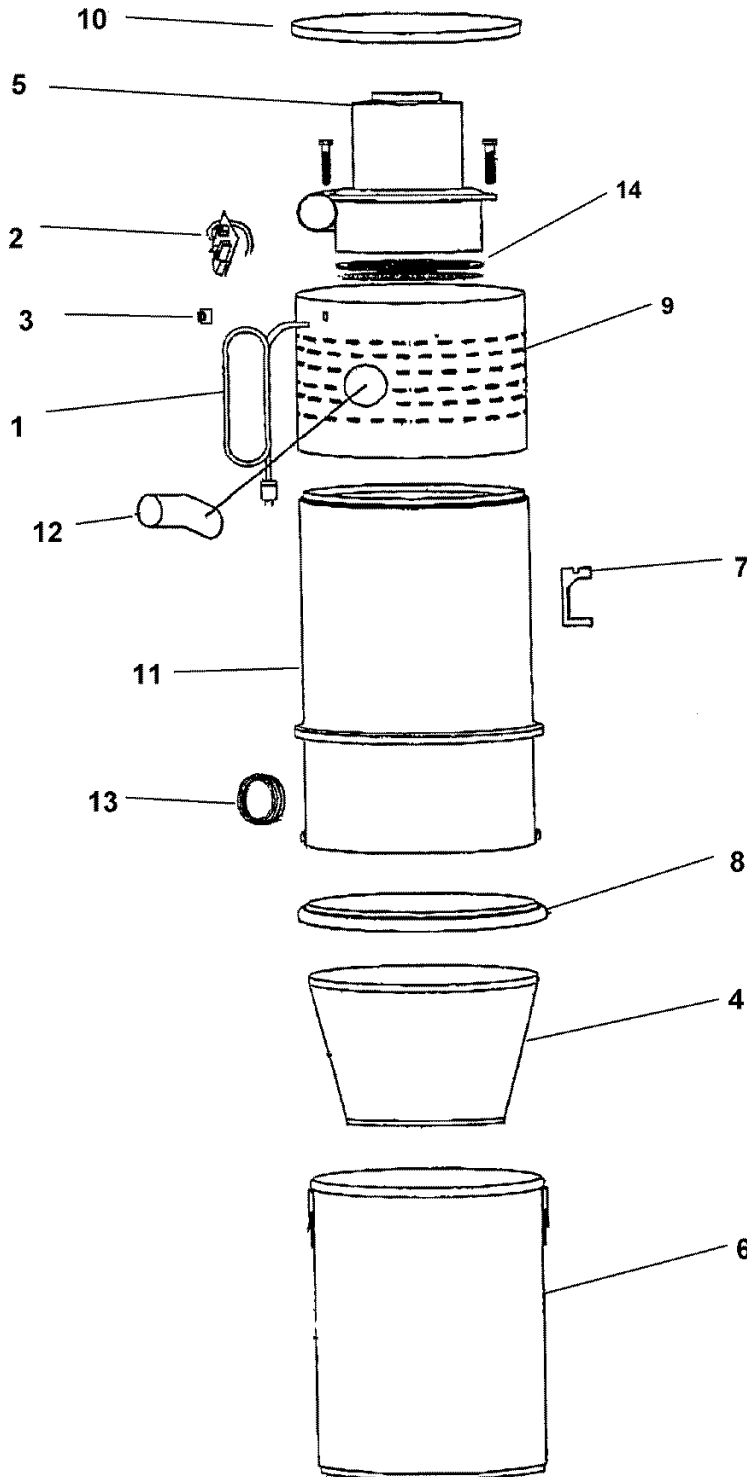


CENTRAL VACUUM SYSTEM



1

ASSEMBLY SCHEMATIC



MODEL NO.

S5615
S5626
S5636



CENTRAL VACUUM SYSTEM



1

PARTS LISTING

MODEL No.

ITEM	PART NUMBER	MODELS TO FIT	PART DESCRIPTION
1	59132011	S5615, S5626, S5636	POWER CORD
2	59132006	S5615, S5626, S5636	CONTROL MODULE
3	59132005	S5615, S5626, S5636	ROCKER SWITCH
4	59132001	S5615	CLOTH FILTER - 11.5"
	93001205	S5626	CLOTH FILTER - 11.5"
	93001206	S5636	CLOTH FILTER - 14.5"
5	59132007	S5615	MOTOR - 2 STAGE
	59132008	S5626, S5636	MOTOR - 3 STAGE - 5.7" DIA
6	93001207	S5615, S5626	DUST CONTAINER - 11.5"
	93001208	S5636	DUST CONTAINER - 14.5"
7	59132022	S5615, S5626, S5636	WALL BRACKET
8	59132023	S5615, S5626	GASKET - 11.5"
	59132024	S5636	GASKET - 14.5"
9	93001744	S5615	SHROUD - HUSH 11.5"
	93001209	S5626	SHROUD - HUSH 11.5"
	93001210	S5636	SHROUD - HUSH 14.5"
10	93001211	S5615, S5626	CANISTER COVER - 11.5"
	93001212	S5636	CANISTER COVER - 14.5"
11	93001213	S5615	CANISTER BODY - 11.5"
	93001214	S5626	CANISTER BODY - 11.5"
	93001216	S5636	CANISTER BODY - 14.5"
12	59132038	S5615, S5626, S5636	TANGENTIAL ADAPTOR
13	59132039	S5615, S5626, S5636	INTAKE GROMMET
14	59132040	S5615, S5626, S5636	MOTOR GASKET - SMALL
	59644011	S5615, S5626, S5636	UTILITY VALVE / RETAINER RING
	93001218	S5615, S5626	SHROUD FOAM - HUSH 11"
	93001219	S5636	SHROUD FOAM - HUSH 14"

S5615
S5626
S5636



CENTRAL VACUUM SYSTEM

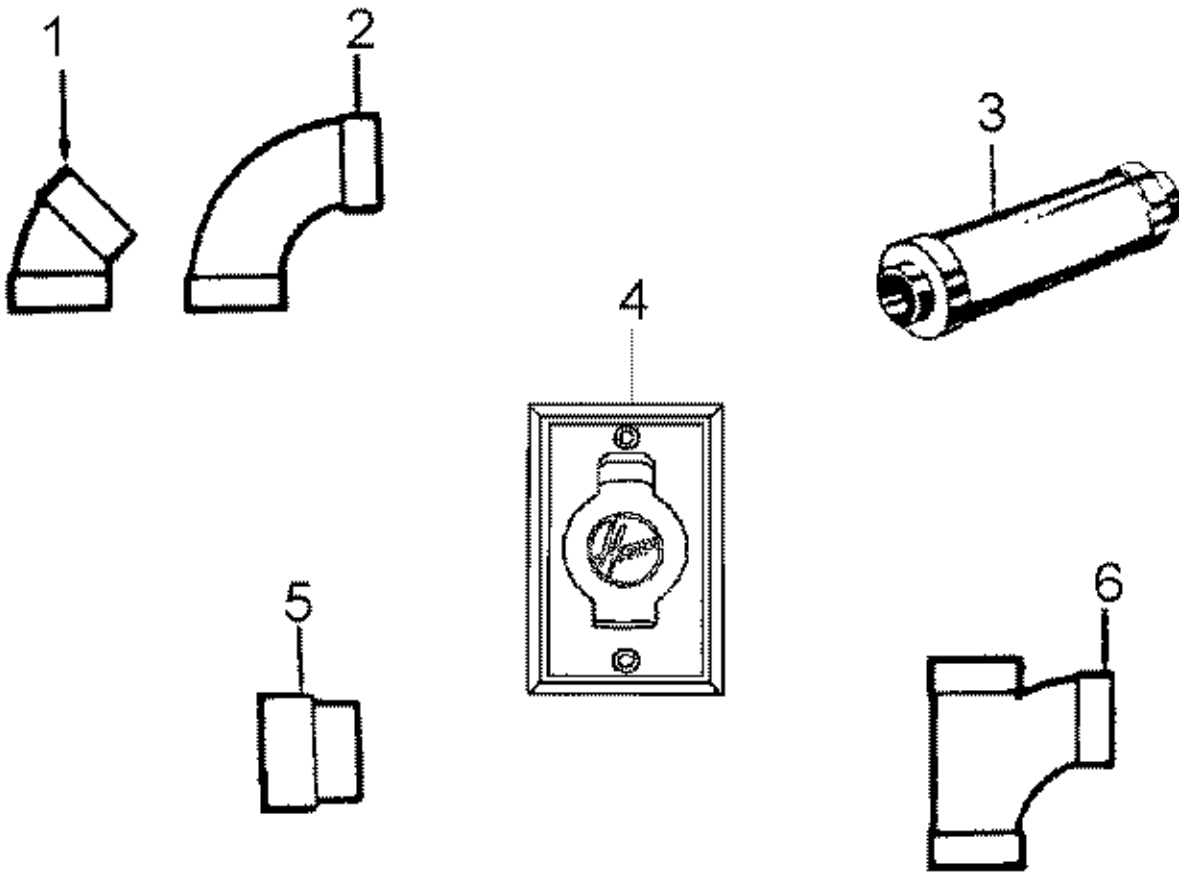


1

ASSEMBLY SCHEMATIC

MODEL NO.

S5615
S5626
S5636





CENTRAL VACUUM SYSTEM



1

PARTS LISTING

ITEM	PART NUMBER	MODELS TO FIT	PART DESCRIPTION
1	10096002	S5615, S5626, S5636	SPIGOT - 45 DEGREE
2	10096001	S5615, S5626, S5636	SWEEP SPIGOT - 90 DEGREE
3	10098001	S5615, S5626, S5636	VAC MUFFLER
4	43526007	S5615, S5626, S5636	INLET VALVE - WHITE
5	10129002	S5615, S5626, S5636	PIPE ADAPTOR
6	38681006	S5615, S5626, S5636	SWEEP TEE - 90 DEGREE

MODEL No.

S5615
S5626
S5636

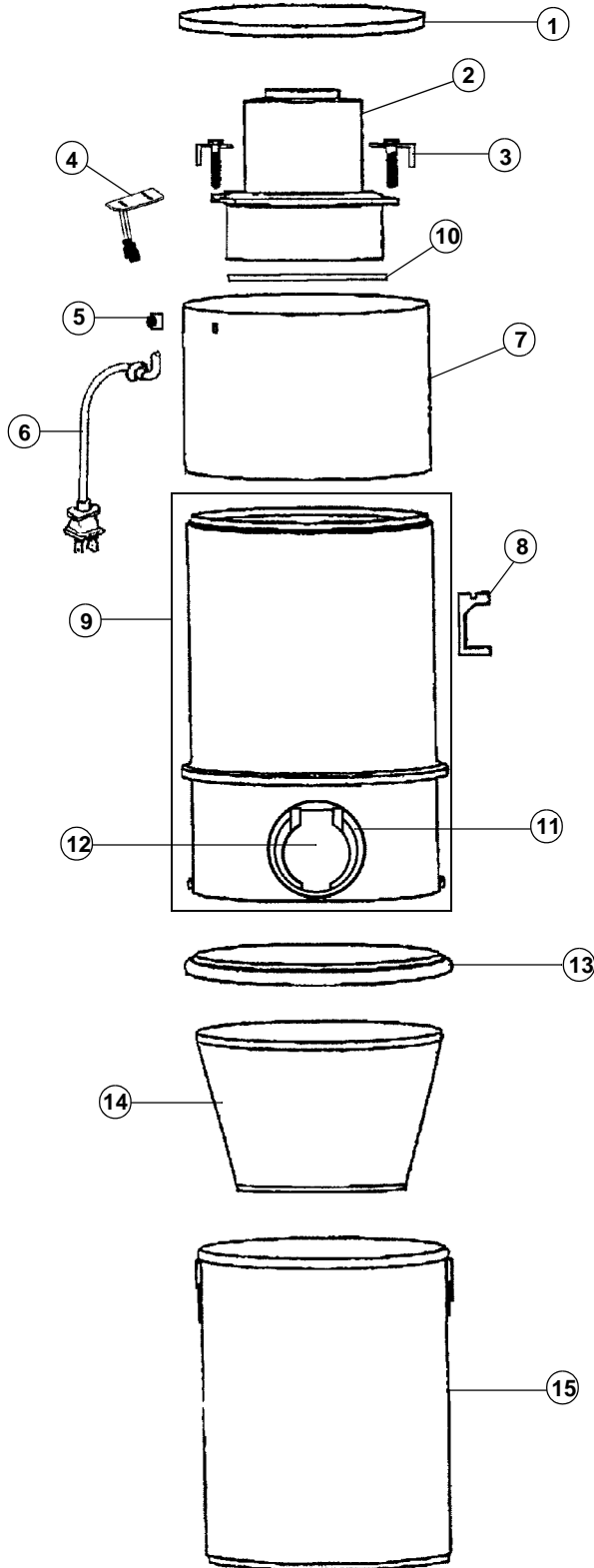


WindTunnel CENTRAL VAC SYSTEM

Platinum CENTRAL VAC SYSTEM

1

ASSEMBLY SCHEMATIC



MODEL NO.

S5629080
SH80005CA
SH80015COM



WindTunnel

CENTRAL VAC SYSTEM

Platinum

CENTRAL VAC SYSTEM

1

PARTS LISTING

MODEL No.

S5629080
SH80005CA
SH80015COM

ITEM	PART NUMBER	MODELS TO FIT	PART DESCRIPTION
1	59132327	S5629080, SH80005CA	CANISTER LID COVER - 11.5"
	440001332	SH80015COM	CANISTER LID COVER - 11.5" - BLACK
2	59132008	S5629080	MOTOR - 10 AMP 3 STAGE
	59644088	SH80005CA	MOTOR - 10 AMP REPLACED BY 59644112 AND 59644124
	59644112	SH80005CA, SH80015COM	MOTOR - 10 AMP WITH TOC
	59644124	SH80005CA	MOTOR MOUNTING KIT - 10 AMP MOTOR w/toc 1 - 36322030 / MOTOR MOUNT - SMALL 2 - 59644105 / LOCK WASHER - 1/4" ID 1 - 59644110 / MOTOR GASKET - 2.750" ID 1 - 59644111 / MOTOR BRACKET 2 - 59644113 / SCREW - 1/4" DIA 20 THD x 3/4"
3	59644089	SH80005CA	MOTOR BRACKET - ORDER 59644124
4	59132006	ALL	CONTROL MODULE
5	59132005	ALL	ROCKER SWITCH
6	59132011	ALL	POWER CORD
7		S5629080	SHROUD
	59132330	SH80005CA	SHROUD
	440001333	SH80015COM	SHROUD
8	59132022	ALL	WALL BRACKET
9	59132295	S5629080, SH80005CA	CANISTER BODY COMPLETE 11.5" - DARK PLATINUM
	440001334	SH80015COM	CANISTER BODY COMPLETE 11.5" - BLACK
	10096002	ALL	SPIGOT - 45 DEGREE
	33211001	ALL	ELBOW - 45 DEGREE
	59132038	ALL	TANGENTIAL ADAPTOR
	59132307	ALL	VAC CAP ASSEMBLY
	59644107	ALL	MOUNTING BOLT HARDWARE PACKAGE
10	59644110	ALL	MOTOR GASKET - SMALL
11	59132039	ALL	INTAKE GROMMET
12	59644011	ALL	UTILITY VALVE AND RETAINING RING
13	59132023	ALL	GASKET - 11.5"
14	59132001	ALL	CLOTH FILTER - 11.5"
15	59132294	S5629080, SH80005CA	BOTTOM DUST CANISTER - 11.5" - DARK PLATINUM
	440001335	SH80015COM	BOTTOM DUST CANISTER - 11.5" - BLACK

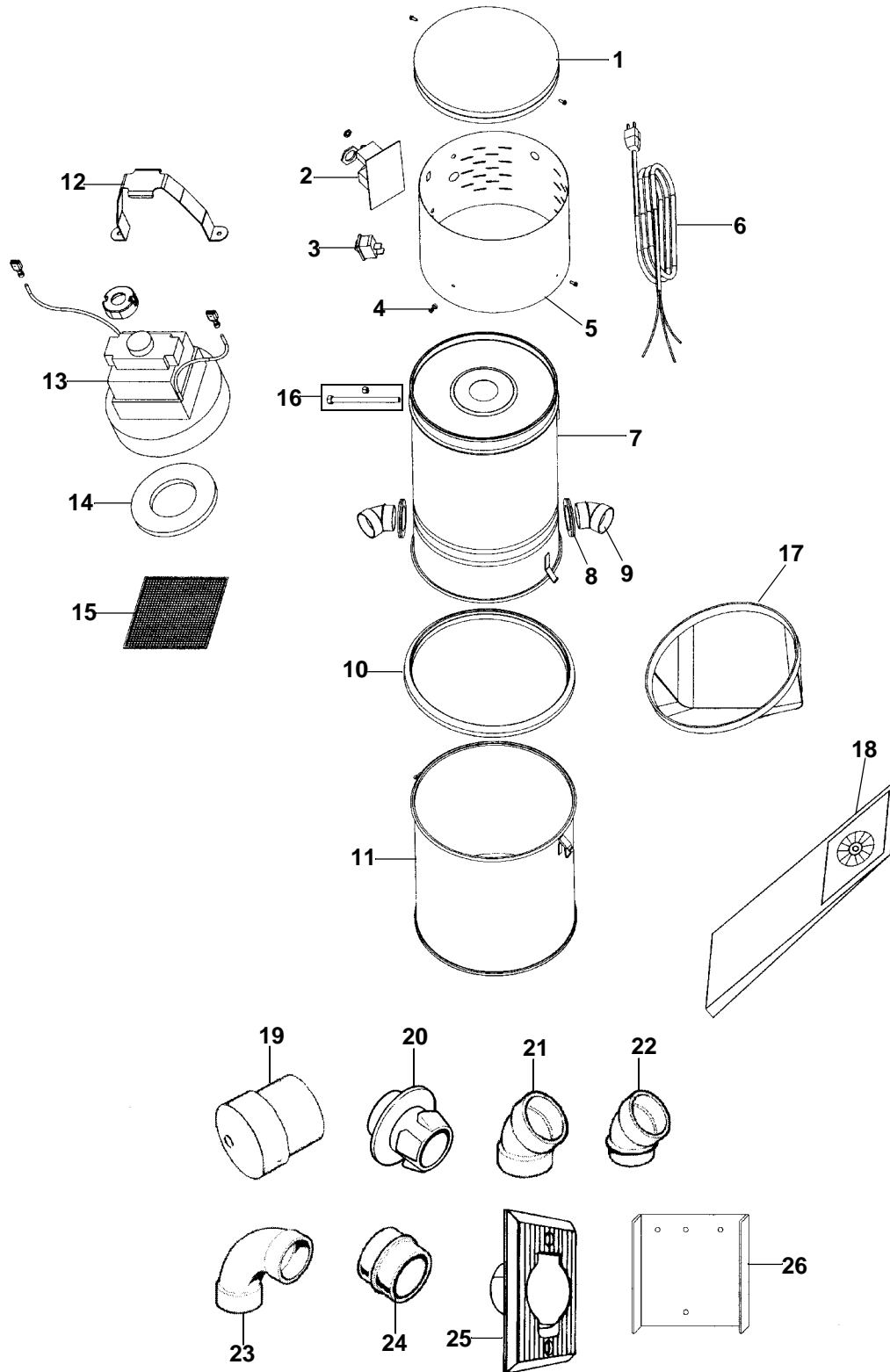


WindTunnel[®]

Central Vac System

1

ASSEMBLY SCHEMATIC



[MODEL NO.](#)

[SH80720]

SH80520

SH80420



WindTunnel[®]

Central Vac System

1

PARTS LISTING

ITEM	PART NUMBER	MODELS To FIT	PART DESCRIPTION
1	440004353	SH80520	LID ASSEMBLY
2		SH80520	FULL BAG INDICATOR CONTROL MODULE
3	59132005	SH80520	ON / OFF SWITCH
4		SH80520	LED AND HOLDER
5	440004354	SH80520	SHROUD - SPARKLE SILVER
6	59132011	SH80520	POWER CORD
7	440004355	SH80520	MAIN BODY - SPARKLE SILVER
8	59132039	SH80520	INTAKE GROMMET
9	59132055	SH80520	45 DEGREE SPIGOT
10	38784069	SH80520	GASKET - CANISTER
11	440004356	SH80520	DUST CANISTER - SPARKLE SILVER
12	59644111	SH80520	MOTOR MOUNT BRACKET
13	59644112	SH80520	MOTOR ASSEMBLY
14	59644110	SH80520	GASKET - MOTOR 2.75" HOLE DIAMETER
15	59132059	SH80520	FILTER SCREEN
16	59644107	SH80520	MOUNTING BOLT HARDWARE PACK
17	59132001	SH80520	CLOTH FILTER - 11.5"
18	440004362	SH80520	FILTER BAG / 3 PACK
19	59132307	SH80520	PIPE CAP ASSEMBLY
20	93001823	SH80520	ADAPTOR - FILTER BAG
21	440004359	SH80520	45 DEGREE ELBOW
22	10096002	SH80520	45 DEGREE SPIGOT
23	440004360	SH80520	90 DEGREE SWEEP ELBOW
24	440004361	SH80520	VALVE REDUCER BUSHING
25	43526007	SH80520	INLET VALVE - WHITE
26	59132022	SH80520	WALL BRACKET

MODEL No.

[SH80720]

SH80520

SH80420



WindTunnel[®]

Central Vac System

1

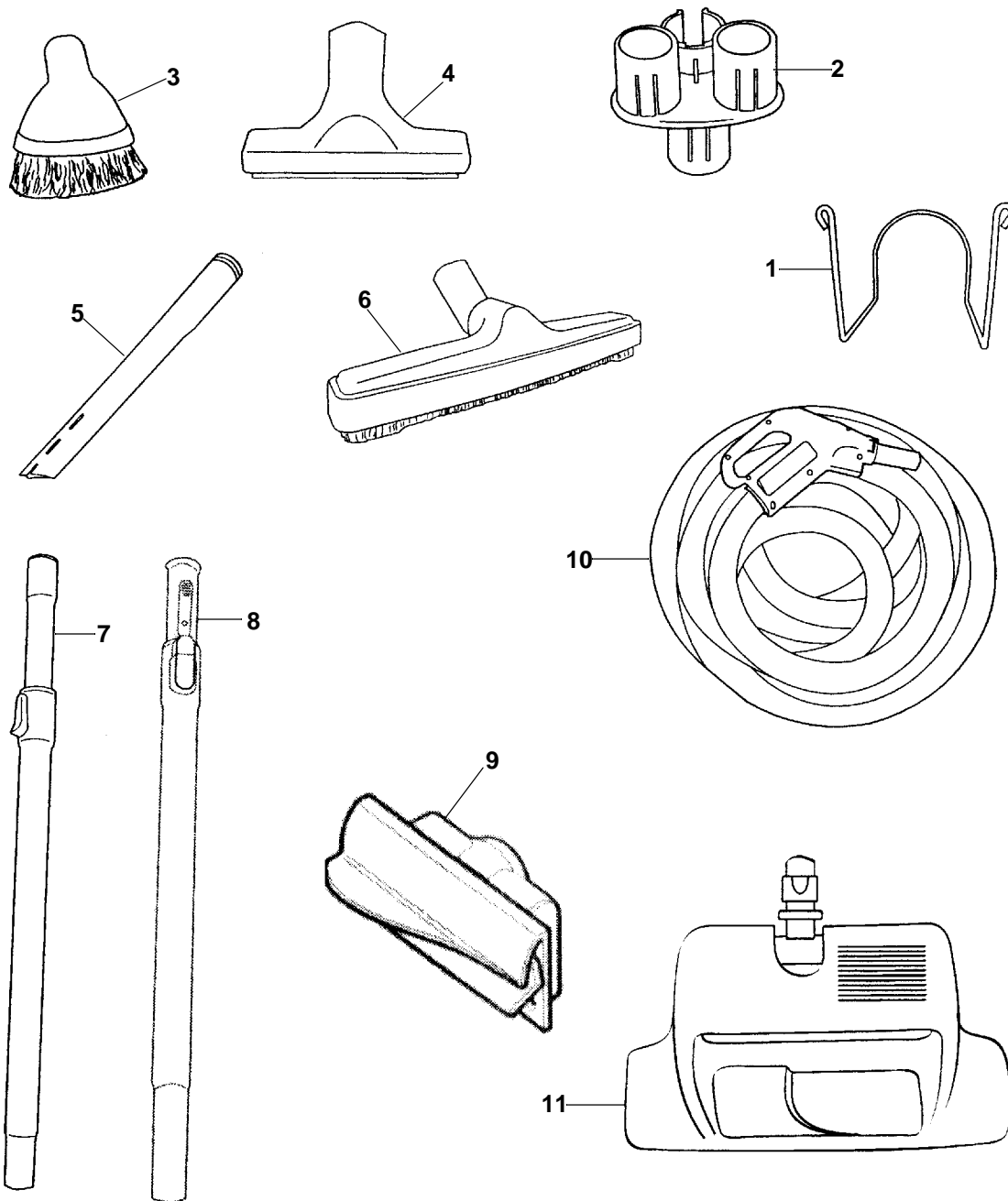
ASSEMBLY SCHEMATIC

MODEL NO.

[SH80720]

SH80520

SH80420





PARTS LISTING

ITEM	PART NUMBER	MODELS TO FIT	PART DESCRIPTION
1	59644061	SH80420	WIRE HOSE HANGER
2	59132016	SH80420	TOOL HOLDER
3	43414197	SH80420	DUSTING BRUSH ASSEMBLY
4	38614045	SH80420	FURNITURE NOZZLE - BLACK
5	38617033	SH80420	CREVICE TOOL
6	59156137	SH80420	HARD FLOOR BRUSH - 12"
7	59132026	SH80420	ALUMINUM WAND (020159-1)
8	59132340	SH80420	TELESCOPIC WAND - 21" CORD MANAGEMENT
9	59132332	SH80420	VACUSWEEP VAC PAN
10	59132333	SH80420	HOSE ASSEMBLY - 30' WITH CORD / UNIVERSAL PLUG
11	48438299	SH80420	POWER NOZZLE ASSEMBLY
	SH80100DS	SH80520	VAC SOC
	SH80105DS	SH80520	VAC PAN

MODEL No.

[SH80720]

SH80520

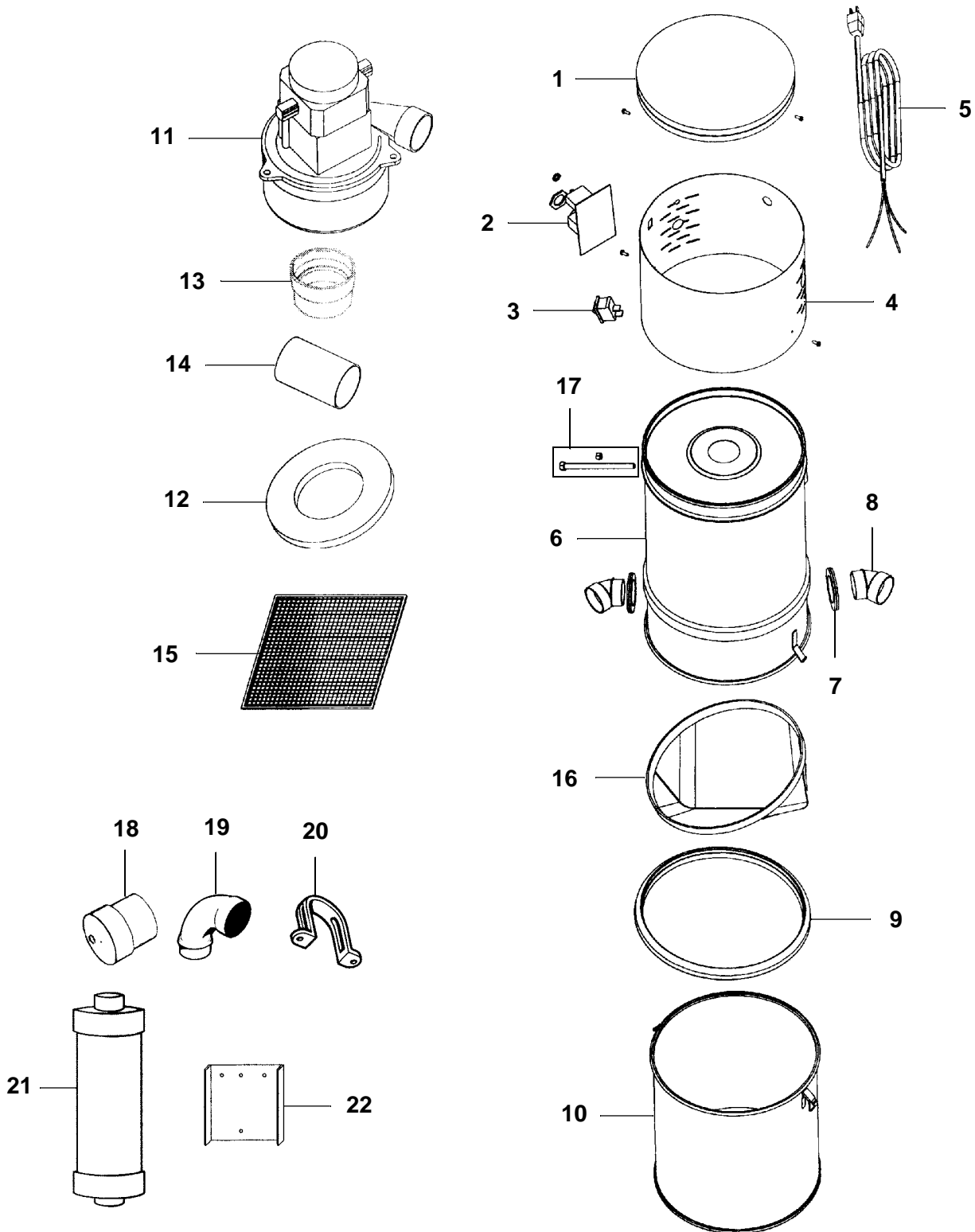
SH80420



Central Vacuum System

1

ASSEMBLY SCHEMATIC



MODEL NO.

[SH80730DS]

SH80530

SH80310



Central Vacuum System

1

PARTS LISTING

ITEM	PART NUMBER	MODELS TO FIT	PART DESCRIPTION
1		SH80530	LID ASSEMBLY - MAROON
2	59132006	SH80530	CONTROL MODULE
3	59132005	SH80530	ON / OFF SWITCH
4		SH80530	SHROUD - MAROON
5	59132011	SH80530	POWER CORD
6		SH80530	MAIN BODY - MAROON
7	59132039	SH80530	INTAKE GROMMET
8	59132055	SH80530	45 DEGREE SPIGOT
9	38784069	SH80530	GASKET - CANISTER
10		SH80530	DUST CANISTER - MAROON
11	59132008	SH80530	MOTOR ASSEMBLY - 3 STAGE 115V / 12.8 AMP
12	59132040	SH80530	GASKET - MOTOR 2.75" INNER DIAMETER
13	59132038	SH80530	TANGENTIAL DISCHARGE ADAPTOR
14		SH80530	PIPE - 2" (060000-1)
15	59132059	SH80530	FILTER SCREEN
16	59132001	SH80530	CLOTH FILTER - 11.5"
17	59644107	SH80530	MOUNTING BOLT HARDWARE PACK
18	59132307	SH80530	PIPE CAP ASSEMBLY
19	440004360	SH80530	90 DEGREE SWEEP ELBOW
20		SH80530	PIPE CLAMP - 1 9/16" x 2 1/2" (060025)
21	10098001	SH80530	EXHAUST MUFFLER
22	59132022	SH80530	WALL BRACKET

MODEL No.

[SH80730DS]

SH80530

SH80310



Central Vacuum System

1

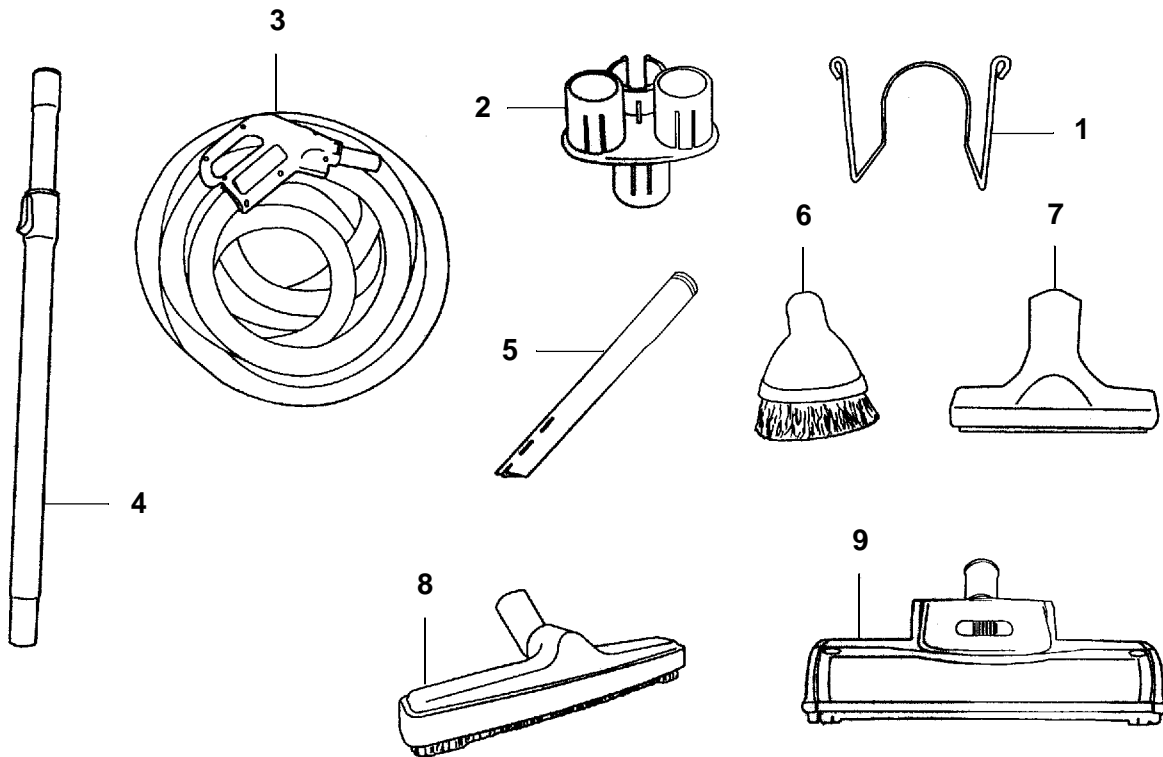
ASSEMBLY SCHEMATIC

MODEL NO.

[SH80730DS]

SH80530

SH80310





Central Vacuum System

1

PARTS LISTING

ITEM	PART NUMBER	MODELS TO FIT	PART DESCRIPTION
1	59644061	SH80310	WIRE HOSE HANGER
2	59132016	SH80310	TOOL HOLDER
3		SH80310	HOSE ASSEMBLY - 30' (050269)
4	59132026	SH80310	TELESCOPIC WAND - BLACK ALUMINUM (020159-1)
5	38617033	SH80310	CREVICE TOOL
6	43414197	SH80310	DUSTING BRUSH ASSEMBLY
7	38614045	SH80310	FURNITURE NOZZLE - BLACK
8	59156137	SH80310	HARD FLOOR BRUSH - 12"
9		SH80310	TURBO NOZZLE - AIR DRIVEN (020366)

MODEL No.

[SH80730DS]

SH80530
SH80310

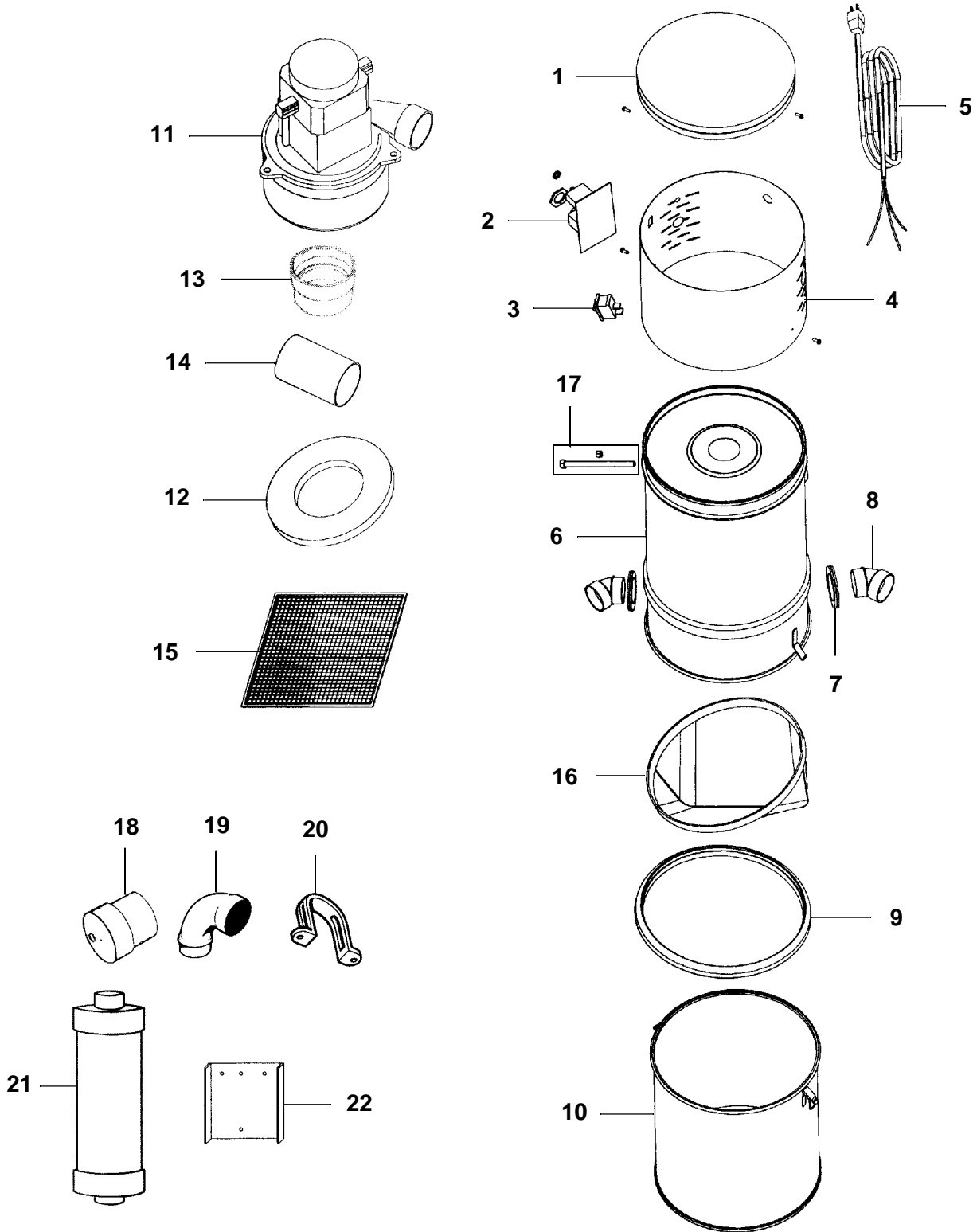


WindTunnel HushTM MC

Central Vac System

1

ASSEMBLY SCHEMATIC



MODEL NO.

[SH80740DS]

SH80540
SH80410



WindTunnel Hush

Central Vac System

1

PARTS LISTING

ITEM	PART NUMBER	MODELS TO FIT	PART DESCRIPTION
1		SH80540	LID ASSEMBLY - DARK PLATINUM
2	59132006	SH80540	CONTROL MODULE
3	59132005	SH80540	ON / OFF SWITCH
4		SH80540	SHROUD - DARK PLATINUM
5	59132011	SH80540	POWER CORD
6		SH80540	MAIN BODY - DARK PLATINUM
7	59132039	SH80540	INTAKE GROMMET
8	59132055	SH80540	45 DEGREE SPIGOT
9	38784069	SH80540	GASKET - CANISTER
10		SH80540	DUST CANISTER - DARK PLATINUM
11	59132008	SH80540	MOTOR ASSEMBLY - 3 STAGE 115V / 12.8 AMP
12	59132040	SH80540	GASKET - MOTOR 2.75" INNER DIAMETER
13	59132038	SH80540	TANGENTIAL DISCHARGE ADAPTOR
14		SH80540	PIPE - 2" (060000-1)
15	59132059	SH80540	FILTER SCREEN
16	59132001	SH80540	CLOTH FILTER - 11.5"
17	59644107	SH80540	MOUNTING BOLT HARDWARE PACK
18	59132307	SH80540	PIPE CAP ASSEMBLY
19	440004360	SH80540	90 DEGREE SWEEP ELBOW
20		SH80540	PIPE CLAMP - 1 9/16" x 2 1/2" (060025)
21	10098001	SH80540	EXHAUST MUFFLER
22	59132022	SH80540	WALL BRACKET

MODEL No.

[SH80740DS]

SH80540

SH80410



WindTunnel HushTM MC

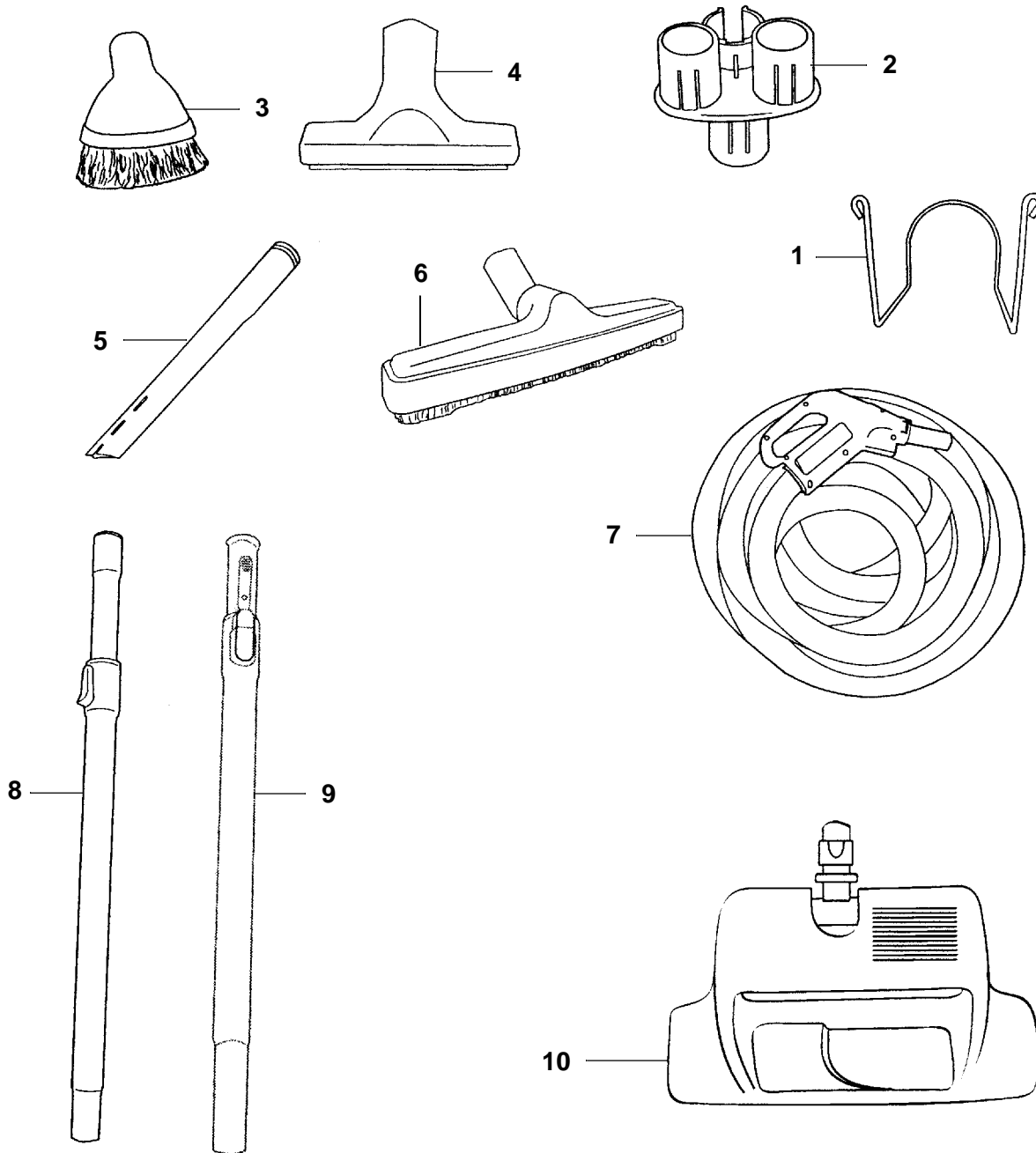
Central Vac System

1

ASSEMBLY SCHEMATIC

MODEL NO.
[SH80740DS]

SH80540
SH80410





WindTunnel Hush

Central Vac System

1

PARTS LISTING

ITEM	PART NUMBER	MODELS TO FIT	PART DESCRIPTION
1	59644061	SH80410	WIRE HOSE HANGER
2	59132016	SH80410	TOOL HOLDER
3	43414197	SH80410	DUSTING BRUSH ASSEMBLY
4	38614045	SH80410	FURNITURE NOZZLE - BLACK
5	38617033	SH80410	CREVICE TOOL
6	59156137	SH80410	HARD FLOOR BRUSH - 12'
7	59132333	SH80410	HOSE ASSEMBLY - 30' WITH CORD / UNIVERSAL PLUG (050018-NOLO)
8	59132026	SH80410	TELESCOPIC WAND - BLACK ALUMINUM (020159-1)
9	59132340	SH80410	TELESCOPIC WAND - 21" CORD MANAGEMENT
10	48438302	SH80410	POWER NOZZLE ASSEMBLY

MODEL No.

[SH80740DS]

SH80540
SH80410



WindTunnel[®]

Central Vac System

1

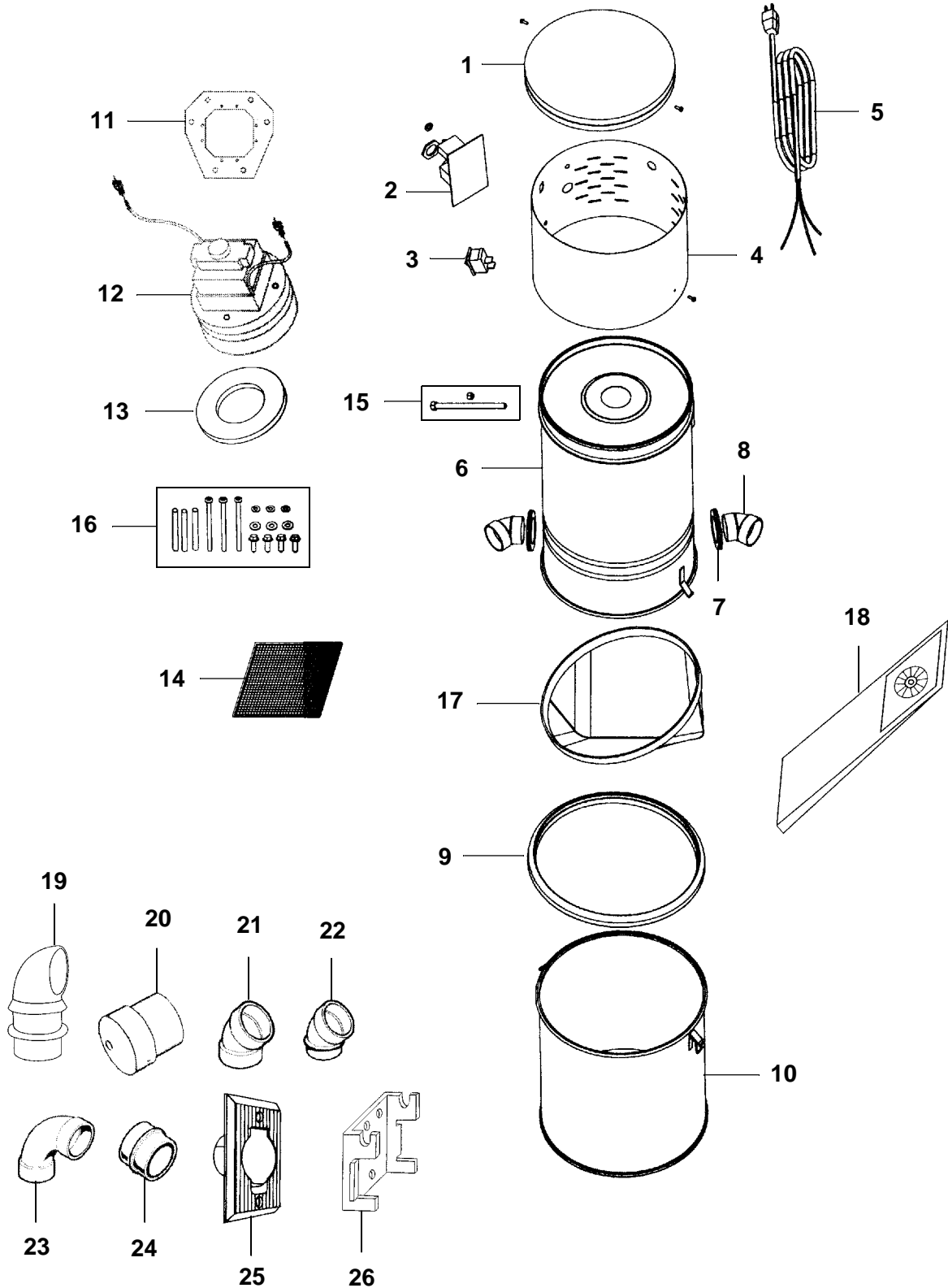
ASSEMBLY SCHEMATIC

MODEL NO.

[SH80750]

SH80550

SH80450





WindTunnel

Central Vac System

1

PARTS LISTING

ITEM	PART NUMBER	MODELS To FIT	PART DESCRIPTION
1	440004353	SH80550	LID ASSEMBLY - SPARKLE SILVER
2	59132006	SH80550	CONTROL MODULE
3	59132005	SH80550	ON / OFF SWITCH
4	440004354	SH80550	SHROUD - SPARKLE SILVER
5	59132011	SH80550	POWER CORD
6	440004355	SH80550	MAIN BODY - SPARKLE SILVER
7	59132039	SH80550	INTAKE GROMMET
8	10096002	SH80550	45 DEGREE SPIGOT
9	38784069	SH80550	GASKET - CANISTER
10	440004356	SH80550	DUST CANISTER - SPARKLE SILVER
11	440004393	SH80550	MOTOR MOUNT BRACKET
12		SH80550	MOTOR ASSEMBLY - 2 STAGE
13	440004358	SH80550	GASKET - MOTOR 2.75" HOLE DIAMETER
14	59132059	SH80550	FILTER SCREEN
15	59644107	SH80550	MOUNTING BOLT HARDWARE PACK
16	440004357	SH80550	MOTOR HARDWARE PACK
17	59132001	SH80550	CLOTH FILTER - 11.5"
18	440004362	SH80550	FILTER BAG / 3 PACK
19	93001823	SH80550	ADAPTOR - FILTER BAG
20	59132307	SH80550	PIPE CAP ASSEMBLY
21	440004359	SH80550	45 DEGREE ELBOW
22	10096002	SH80550	45 DEGREE SPIGOT
23	440004360	SH80550	90 DEGREE SWEEP ELBOW
24	440004361	SH80550	VALVE REDUCER BUSHING
25	43526007	SH80550	INLET VALVE - WHITE
26	59132022	SH80550	WALL BRACKET

MODEL No.

[SH80750]

SH80550

SH80450



WindTunnel[®]

Central Vac System

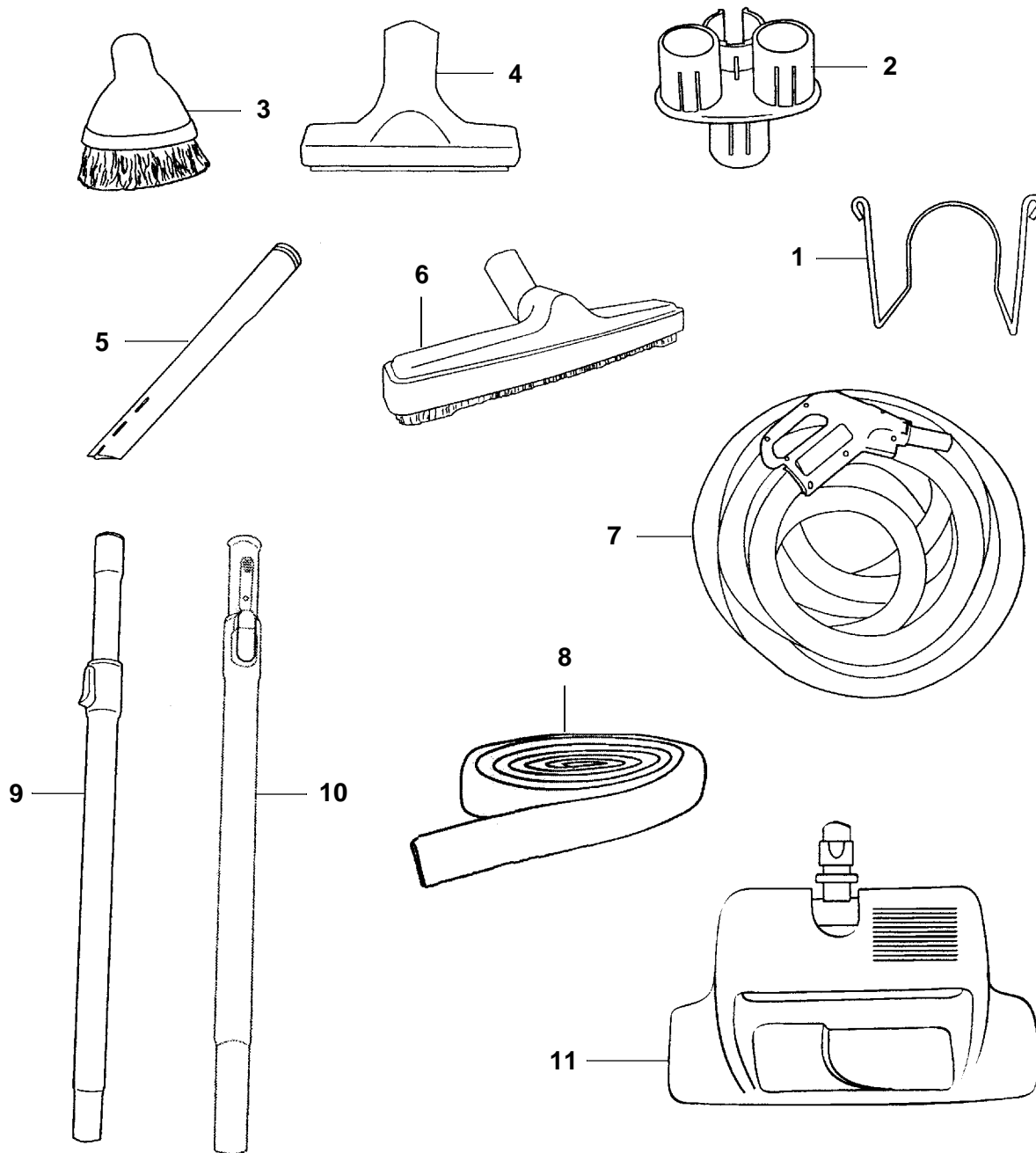
1

ASSEMBLY SCHEMATIC

[MODEL NO.](#)

[SH80750]

SH80550
SH80450





WindTunnel[®]

Central Vac System

1

PARTS LISTING

ITEM	PART NUMBER	MODELS TO FIT	PART DESCRIPTION
1	59644061	SH80450	WIRE HOSE HANGER
2	59132016	SH80450	TOOL HOLDER
3	43414197	SH80450	DUSTING BRUSH ASSEMBLY
4	38614045	SH80450	FURNITURE NOZZLE - BLACK
5	38617033	SH80450	CREVICE TOOL
6	59156137	SH80450	HARD FLOOR BRUSH - 12"
7	59132333	SH80450	HOSE ASSEMBLY - 30' WITH CORD / UNIVERSAL PLUG (050018-NOLO)
8	440004363	SH80450	HOSE SOCK - 30'
9	59132026	SH80450	ALUMINUM WAND (020159-1)
10	59132340	SH80450	TELESCOPIC WAND - 21" CORD MANAGEMENT
11	48438302	SH80450	POWER NOZZLE ASSEMBLY

MODEL NO.

[SH80750]

SH80550
SH80450



WindTunnel[®]

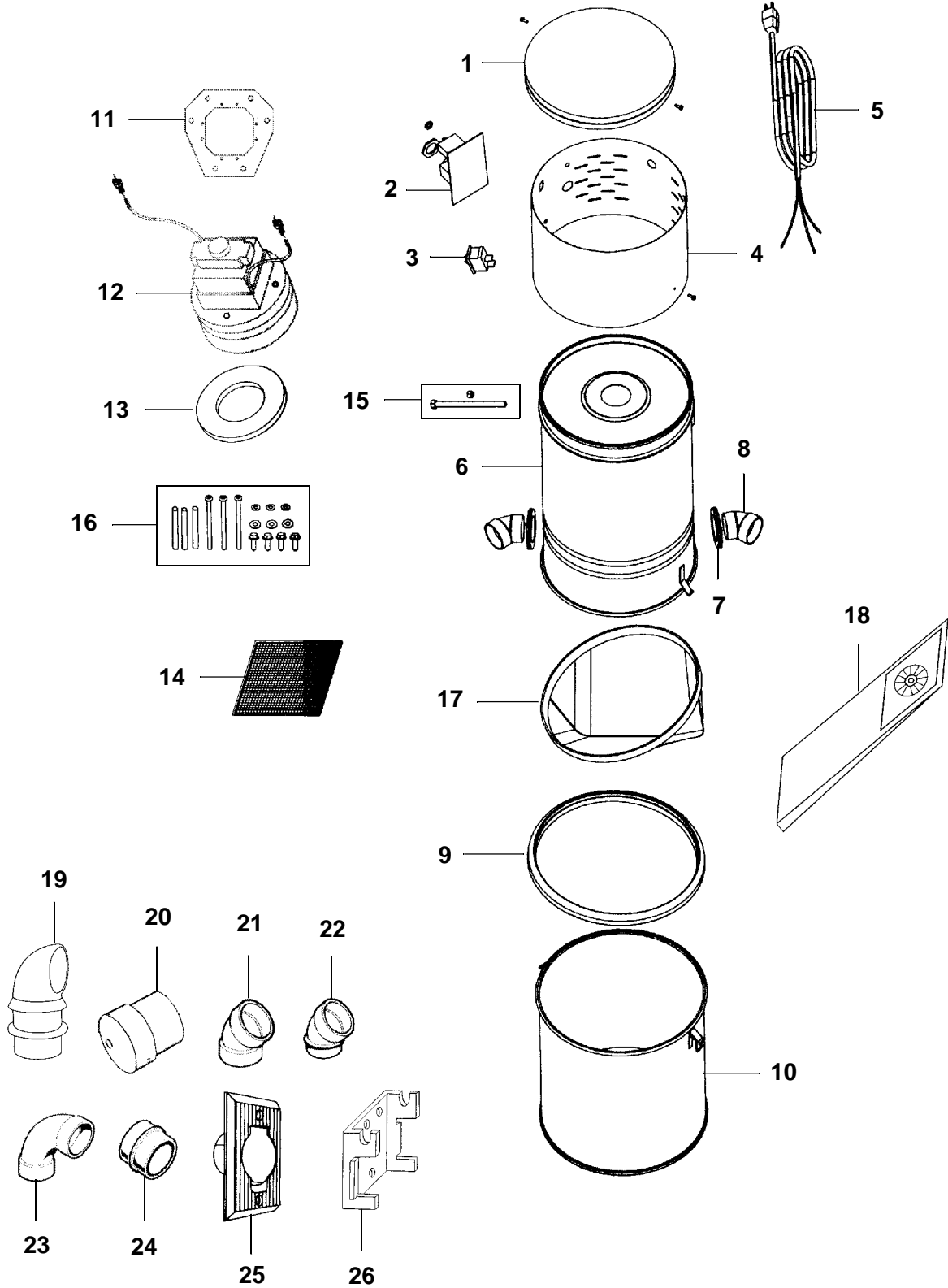
Central Vac System

1

ASSEMBLY SCHEMATIC

MODEL NO.
[SH80760CA]

SH80560
SH80460





WindTunnel[®]

Central Vac System

1

PARTS LISTING

ITEM	PART NUMBER	MODELS TO FIT	PART DESCRIPTION
1	440004353	SH80560	LID ASSEMBLY - SPARKLE SILVER
2	59132006	SH80560	CONTROL MODULE
3	59132005	SH80560	ON / OFF SWITCH
4	440004354	SH80560	SHROUD - SPARKLE SILVER
5	59132011	SH80560	POWER CORD
6	440004355	SH80560	MAIN BODY - SPARKLE SILVER
7	59132039	SH80560	INTAKE GROMMET
8	10096002	SH80560	45 DEGREE SPIGOT
9	38784069	SH80560	GASKET - CANISTER
10	440004356	SH80560	DUST CANISTER - SPARKLE SILVER
11	440004393	SH80560	MOTOR MOUNT BRACKET
12		SH80560	MOTOR ASSEMBLY - 2 STAGE
13	440004358	SH80560	GASKET - MOTOR 2.75" HOLE DIAMETER
14	59132059	SH80560	FILTER SCREEN
15	59644107	SH80560	MOUNTING BOLT HARDWARE PACK
16	440004357	SH80560	MOTOR HARDWARE PACK
17	59132001	SH80560	CLOTH FILTER - 11.5"
18	440004362	SH80560	FILTER BAG / 3 PACK
19	93001823	SH80560	ADAPTOR - FILTER BAG
20	59132307	SH80560	PIPE CAP ASSEMBLY
21	440004359	SH80560	45 DEGREE ELBOW
22	10096002	SH80560	45 DEGREE SPIGOT
23	440004360	SH80560	90 DEGREE SWEEP ELBOW
24	440004361	SH80560	VALVE REDUCER BUSHING
25	43526007	SH80560	INLET VALVE - WHITE
26	59132022	SH80560	WALL BRACKET

MODEL No.

[SH80760CA]

SH80560

SH80460



WindTunnel[®]

Central Vac System

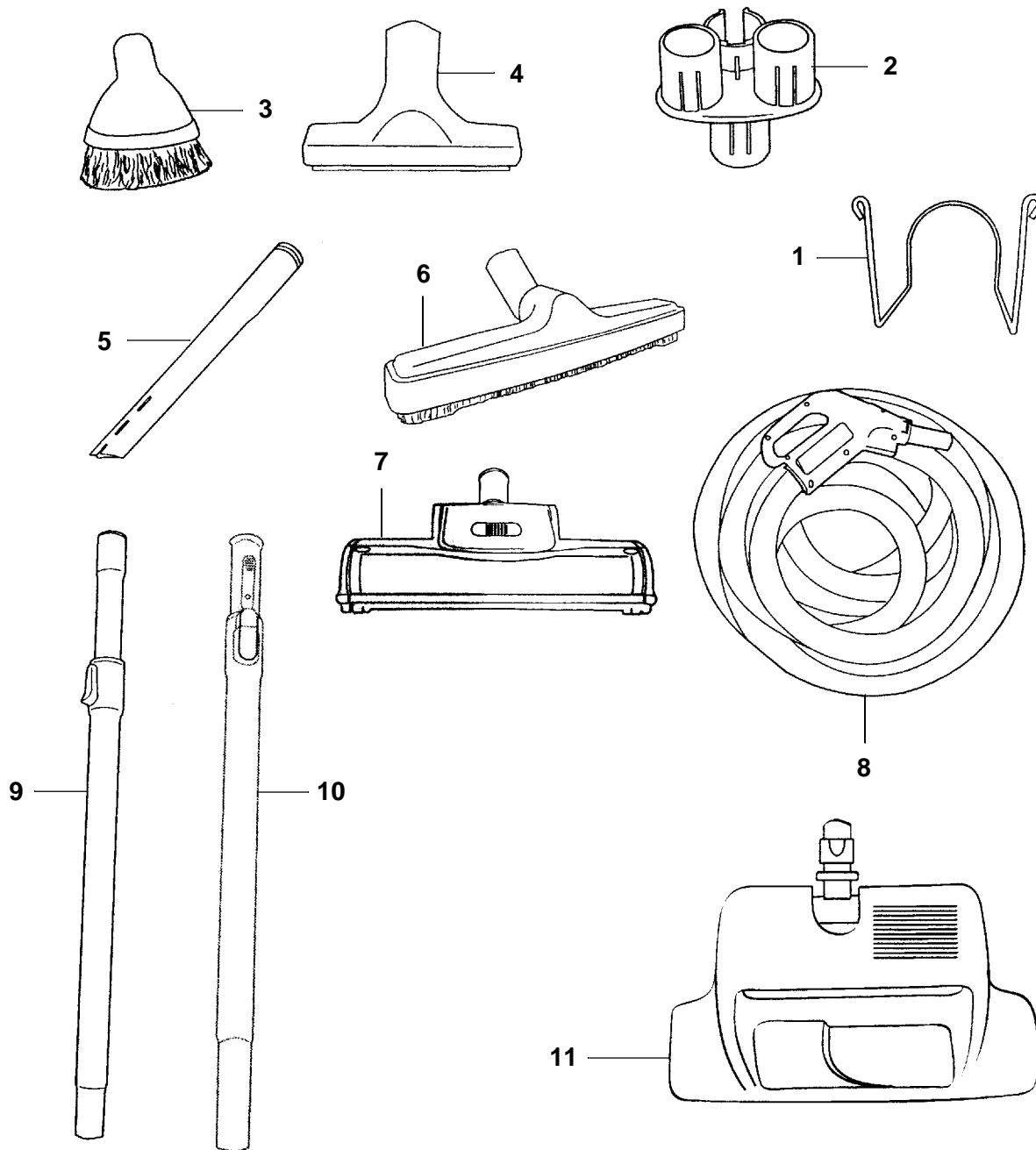
1

ASSEMBLY SCHEMATIC

MODEL NO.

[SH80760CA]

SH80560
SH80460





WindTunnel[®]

Central Vac System

1

PARTS LISTING

ITEM	PART NUMBER	MODELS TO FIT	PART DESCRIPTION
1	59644061	SH80460	WIRE HOSE HANGER (020008-2)
2	59132016	SH80460	TOOL HOLDER (020011)
3	43414197	SH80460	DUSTING BRUSH ASSEMBLY
4	38614045	SH80460	FURNITURE NOZZLE - BLACK
5	38617033	SH80460	CREVICE TOOL
6	59156137	SH80460	HARD FLOOR BRUSH - 12"
7		SH80460	TURBO NOZZLE 11" - AIR DRIVEN (020066)
8	59132333	SH80460	HOSE ASSEMBLY - 30' WITH CORD / UNIVERSAL PLUG (0500274)
9	59132026	SH80460	ALUMINUM WAND (020182)
10	59132340	SH80460	TELESCOPIC WAND - 21" CORD MANAGEMENT
11	48438302	SH80460	POWER NOZZLE ASSEMBLY

MODEL No.

[SH80760CA]

SH80560
SH80460



WindTunnel[®]

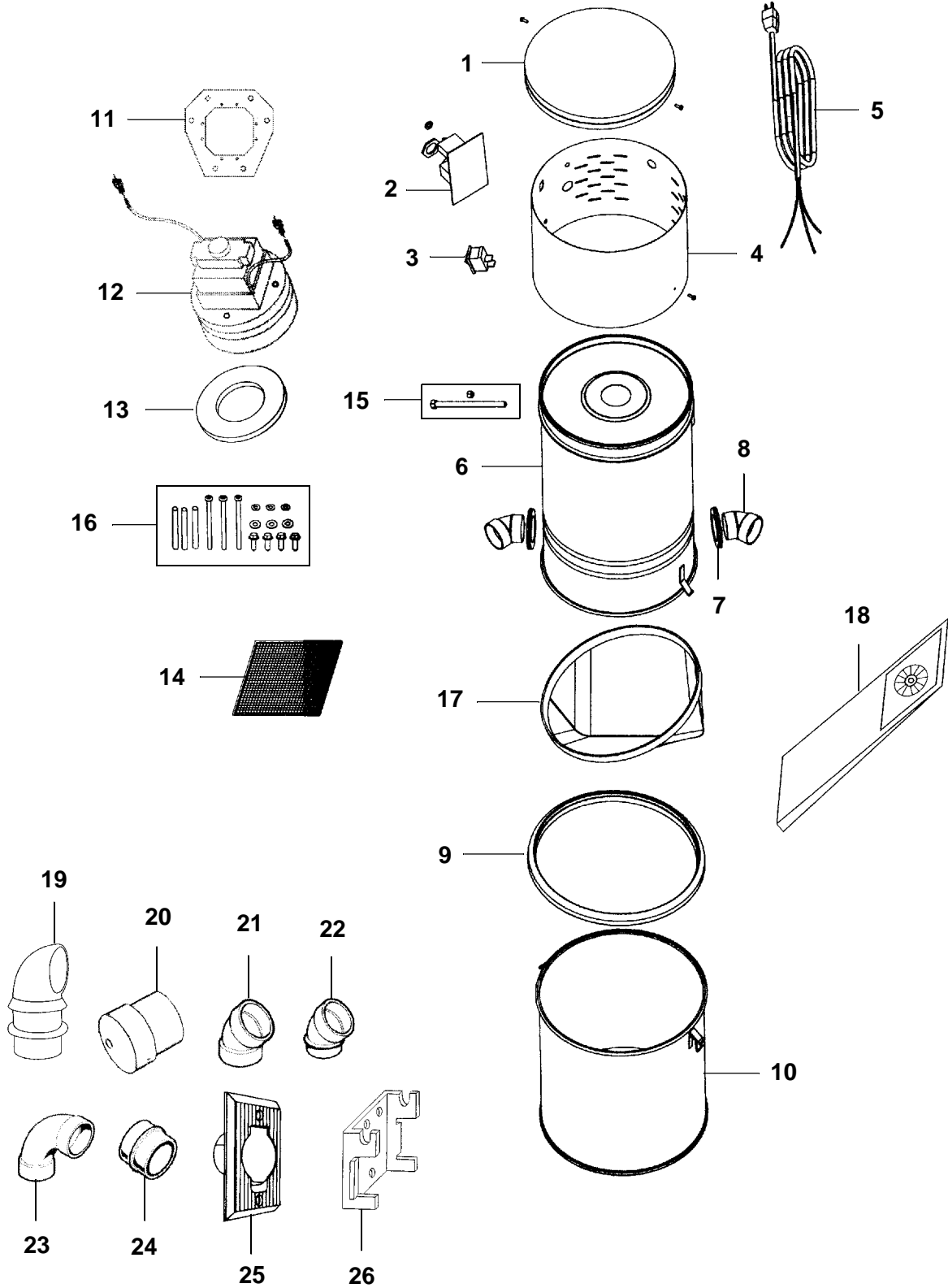
Central Vac System

1

ASSEMBLY SCHEMATIC

MODEL NO.
[SH80770CA]

SH80570
SH80470





WindTunnel[®]

Central Vac System

1

PARTS LISTING

ITEM	PART NUMBER	MODELS TO FIT	PART DESCRIPTION
1		SH80570	LID ASSEMBLY - BLACK
2	59132006	SH80570	CONTROL MODULE - 120V / 15AMP
3	59132005	SH80570	ON / OFF SWITCH - 125V / 10AMP
4		SH80570	SHROUD - BLACK
5	59132011	SH80570	POWER CORD
6		SH80570	MAIN BODY - BLACK
7	59132039	SH80570	INTAKE GROMMET
8	10096002	SH80570	45 DEGREE SPIGOT
9	38784069	SH80570	GASKET - CANISTER
10	440004356	SH80570	DUST CANISTER - BLACK
11	440004393	SH80570	MOTOR MOUNT BRACKET
12		SH80570	MOTOR ASSEMBLY - 115V / 14.4AMP (040073 AMETEK)
13	440004358	SH80570	GASKET - MOTOR 2.75" HOLE DIAMETER
14	59132059	SH80570	FILTER SCREEN
15	59644107	SH80570	MOUNTING BOLT HARDWARE PACK
16	440004357	SH80570	MOTOR HARDWARE PACK
17	59132001	SH80570	CLOTH FILTER - 11.5"
18	440004362	SH80570	FILTER BAG / 3 PACK
19	93001823	SH80570	ADAPTOR - FILTER BAG
20	59132307	SH80570	PIPE CAP ASSEMBLY
21	440004359	SH80570	45 DEGREE ELBOW
22	10096002	SH80570	45 DEGREE SPIGOT
23	440004360	SH80570	90 DEGREE SWEEP ELBOW
24	440004361	SH80570	VALVE REDUCER BUSHING
25	43526007	SH80570	INLET VALVE - WHITE
26	59132022	SH80570	WALL BRACKET

MODEL No.

[SH80770CA]

SH80570
SH80470



WindTunnel[®]

Central Vac System

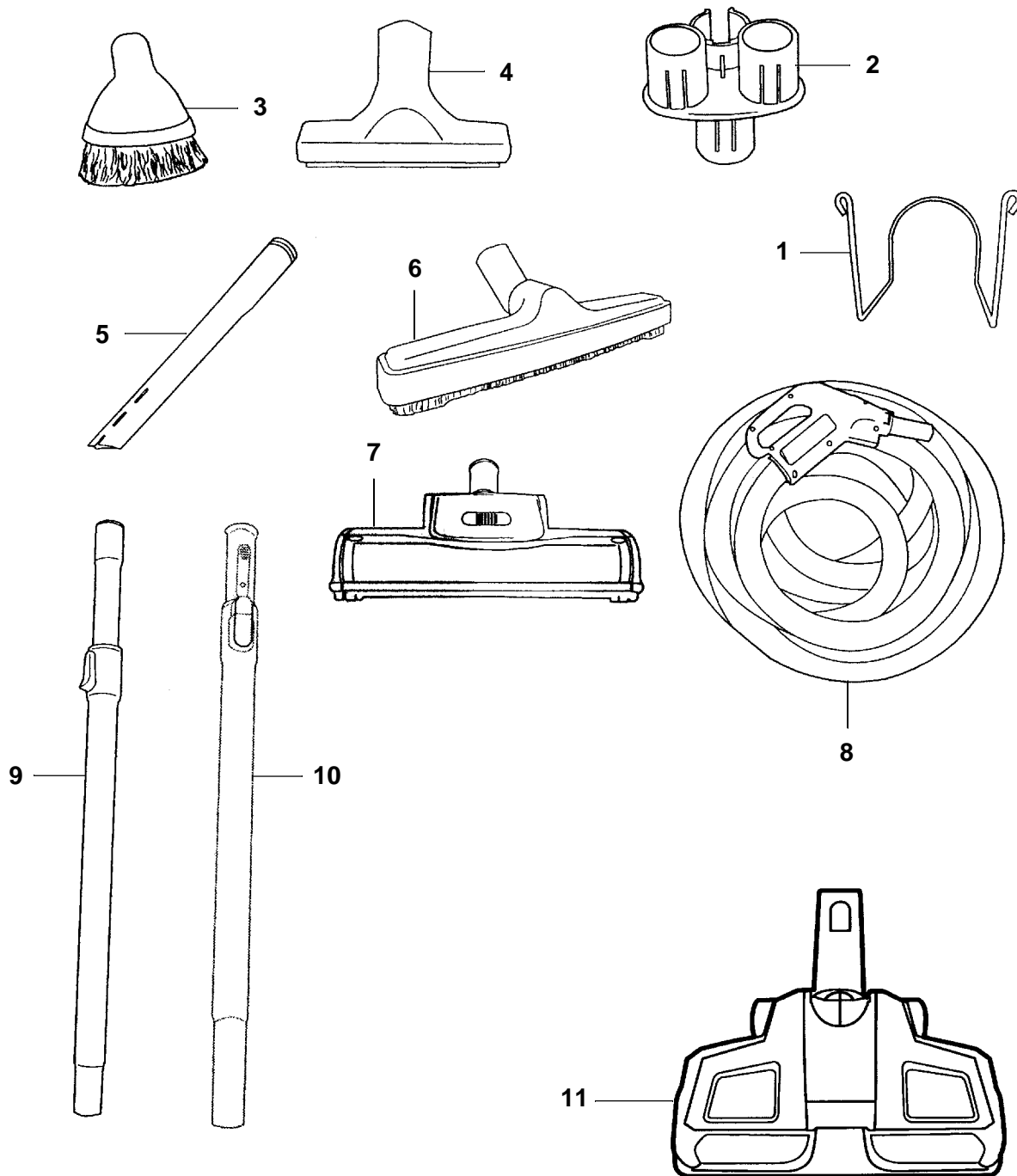
1

ASSEMBLY SCHEMATIC

MODEL NO.

[SH80770CA]

SH80570
SH80470





WindTunnel[®]

Central Vac System

1

PARTS LISTING

ITEM	PART NUMBER	MODELS TO FIT	PART DESCRIPTION
1		SH80470	HOSE HANGER - PLASTIC (020008)
2		SH80470	TOOL HOLDER - BLACK (020011-1)
3		SH80470	DUSTING BRUSH (020148-2)
4		SH80470	FURNITURE NOZZLE - BLACK (020149-2)
5		SH80470	CREVICE TOOL - 12" (020293)
6		SH80470	HARD FLOOR BRUSH - 12" (020024-12)
7		SH80470	TURBO NOZZLE 11" - AIR DRIVEN (020066)
8		SH80470	HOSE ASSEMBLY - 30' WITH CORD / UNIVERSAL PLUG (050018-NOLO)
9		SH80470	TELESCOPIC WAND - BLACK ALUMINUM (020159-1)
10		SH80470	TELESCOPIC WAND - INTEGRATED / STAINLESS STEEL (020336)
11	440005132	SH80470	POWER NOZZLE ASSEMBLY
			GARAGE KIT: (020338) HOSE ASSEMBLY - 25'

MODEL NO.

[SH80770CA]

SH80570
SH80470



WindTunnel
CENTRAL VAC SYSTEM

Platinum
CENTRAL VAC SYSTEM

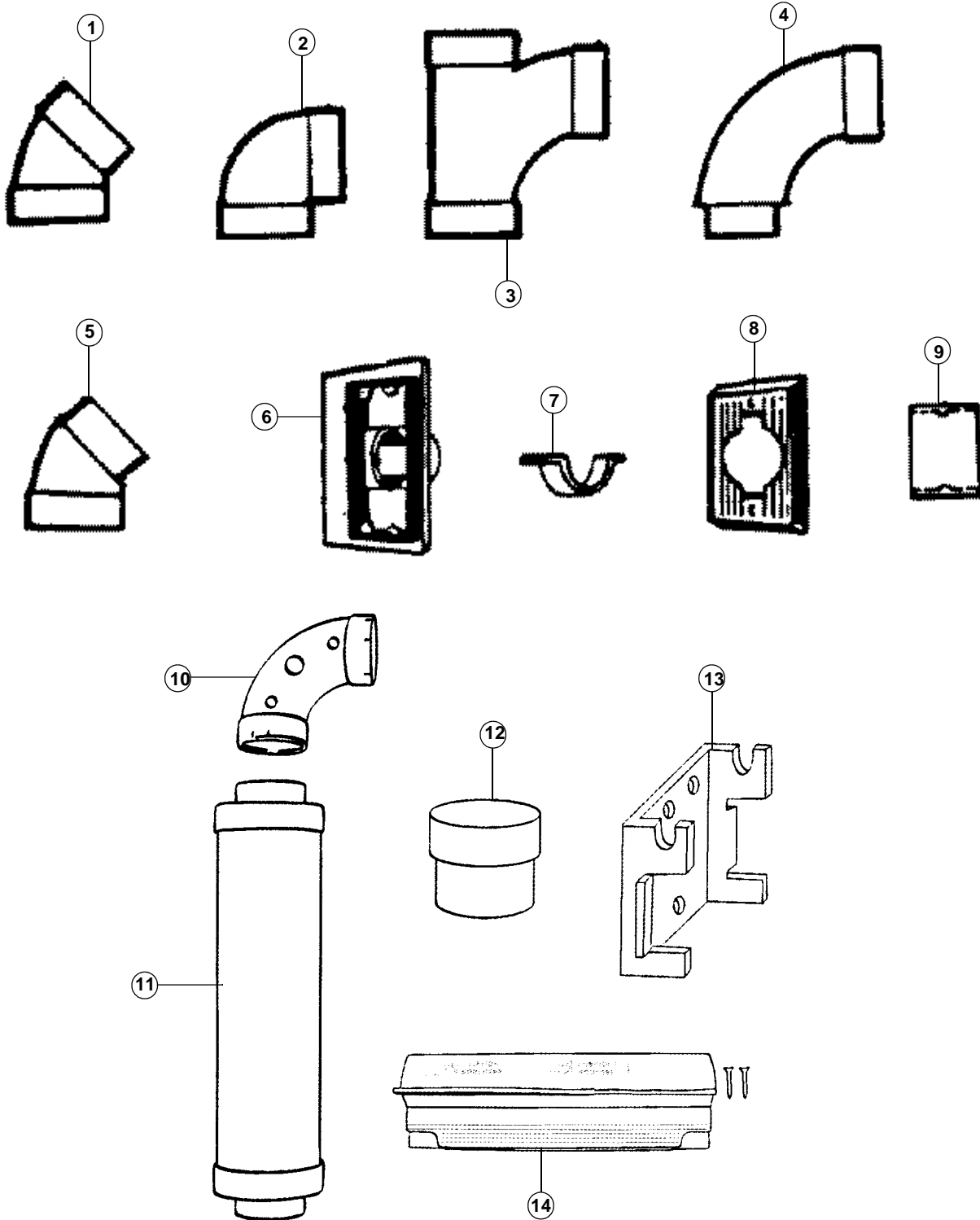
1

ASSEMBLY SCHEMATIC
INSTALLATION

MODEL NO.

S5541

(S5629080)
(SH80005CA)
(SH80015COM)





WindTunnel

CENTRAL VAC SYSTEM

Platinum

CENTRAL VAC SYSTEM

1

PARTS LISTING

ITEM	PART NUMBER	MODELS TO FIT	PART DESCRIPTION
1	33211001	S5541	ELBOW - 45 DEGREE
2	33215003	S5541	SHORT ELBOW - 90 DEGREE
3	38681006	S5541	SWEEP ELBOW TEE - 90 DEGREE
4	10096001	S5541	SWEEP ELBOW - 90 DEGREE
5	10096002	S5541	SPIGOT - 45 DEGREE
6	38719005	S5541	MOUNTING PLATE
7	48615015	S5541	PIPE STRAP
8	43526007	S5541	INLET VALVE
9	32286011	S5541	STOP COUPLING
10	33215002	S5541	SWEEP ELBOW - 90 DEGREE
11	10098001	S5541	VAC MUFFLER
12	59132307	S5541	VAC CAP ASSEMBLY
13	59132022	S5541	WALL BRACKET
14	59132332	S5541	VACUSWEEP VAC PAN
	40300071	S5541	VAC PANS - 12 PACK / WHITE

MODEL No.

S5541

(S5629080)
(SH80005CA)
(SH80015COM)



WindTunnel

CENTRAL VAC SYSTEM

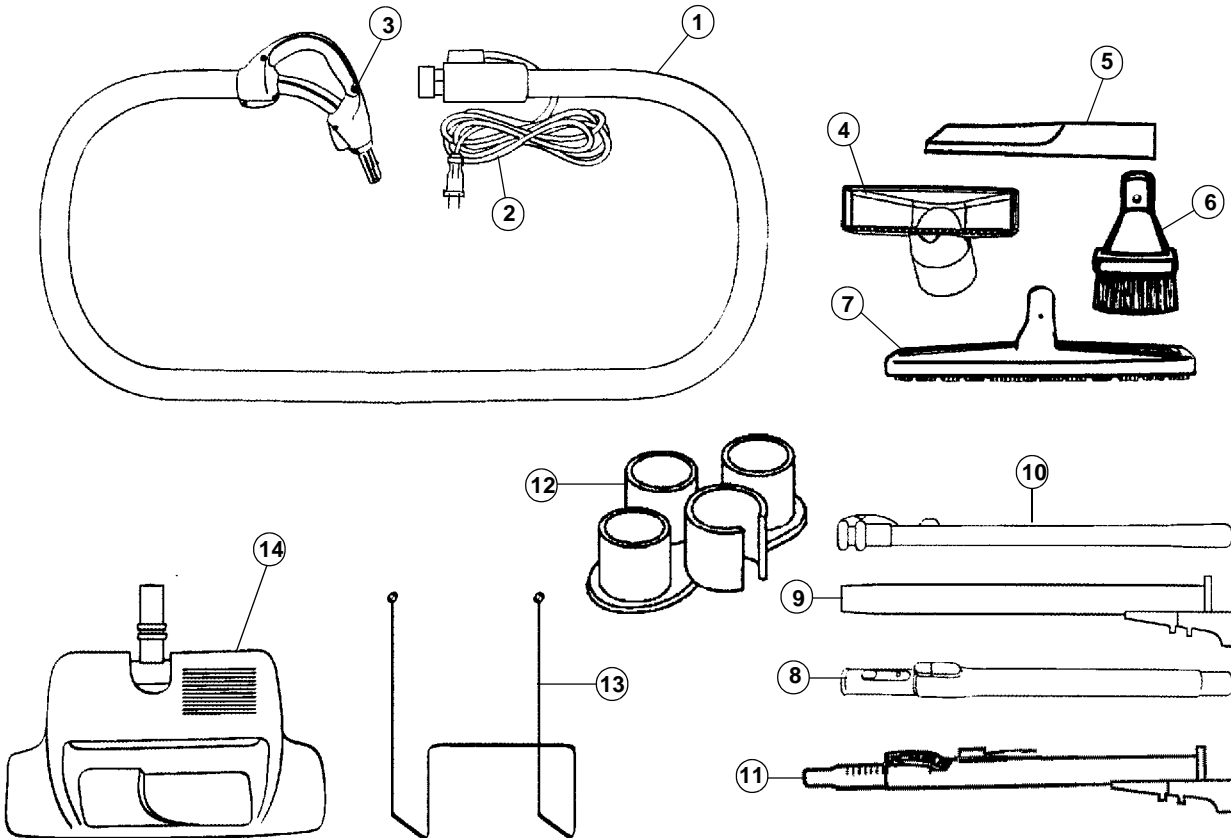
Platinum

CENTRAL VAC SYSTEM

1

ASSEMBLY SCHEMATIC

ACCESSORY KIT



[MODEL NO.](#)

S5694

(S5629080)

SH80010

S5720

(SH80015COM)



WindTunnel

CENTRAL VAC SYSTEM

Platinum

CENTRAL VAC SYSTEM

1

PARTS LISTING

ITEM	PART NUMBER	MODELS TO FIT	PART DESCRIPTION
1	59132342	S5720	HOSE ASSEMBLY - 30' WITH PISTOL GRIP ORDER 59132333
	59132333	S5694, SH80010	HOSE ASSEMBLY - 30' WITH PISTOL GRIP
2	59132027	S5694, SH80010	PIGTAIL CORD
3		S5694	SWITCH KIT WIRING HARNESS / SWITCH PLATE / ROCKER SWITCH
	440001434	S5694, S5720, SH80010	SWITCH KIT WIRING HARNESS / SWITCH PLATE / SLIDE BUTTON
4	38614045	S5694, S5720	FURNITURE NOZZLE - BLACK
5	38617033	S5694, S5720	CREVICE TOOL - BLACK
6	43414197	ALL	DUSTING BRUSH
7	59644081	ALL	14" FLOOR BRUSH ASSEMBLY - BLACK
8	59132290	S5694, SH80010	TELESCOPIC WAND - CHROME
	59132026	S5720	TELESCOPIC WAND - ALUMINUM
9	59132014	S5694	21" TUBE ASSEMBLY - CORD MANAGEMENT
	59132325	SH80010	21" WAND ASSEMBLY - CORD MANAGEMENT
10	43453038	S5694, SH80010	17" EXTENSION TUBE ASSEMBLY - STRAIGHT
11	59132340	S5720	ELECTRIFIED TELESCOPIC WAND
12	59132016	ALL	WAND TOOL HOLDER
13	59644061	ALL	WIRE FRAME / HOSE HOLDER
14	48438291	S5694, SH80010	POWER NOZZLE COMPLETE
	48438299	S5720	POWER NOZZLE COMPLETE

MODEL No.

S5694
(S5629080)

SH80010

S5720
(SH80015COM)



WindTunnel

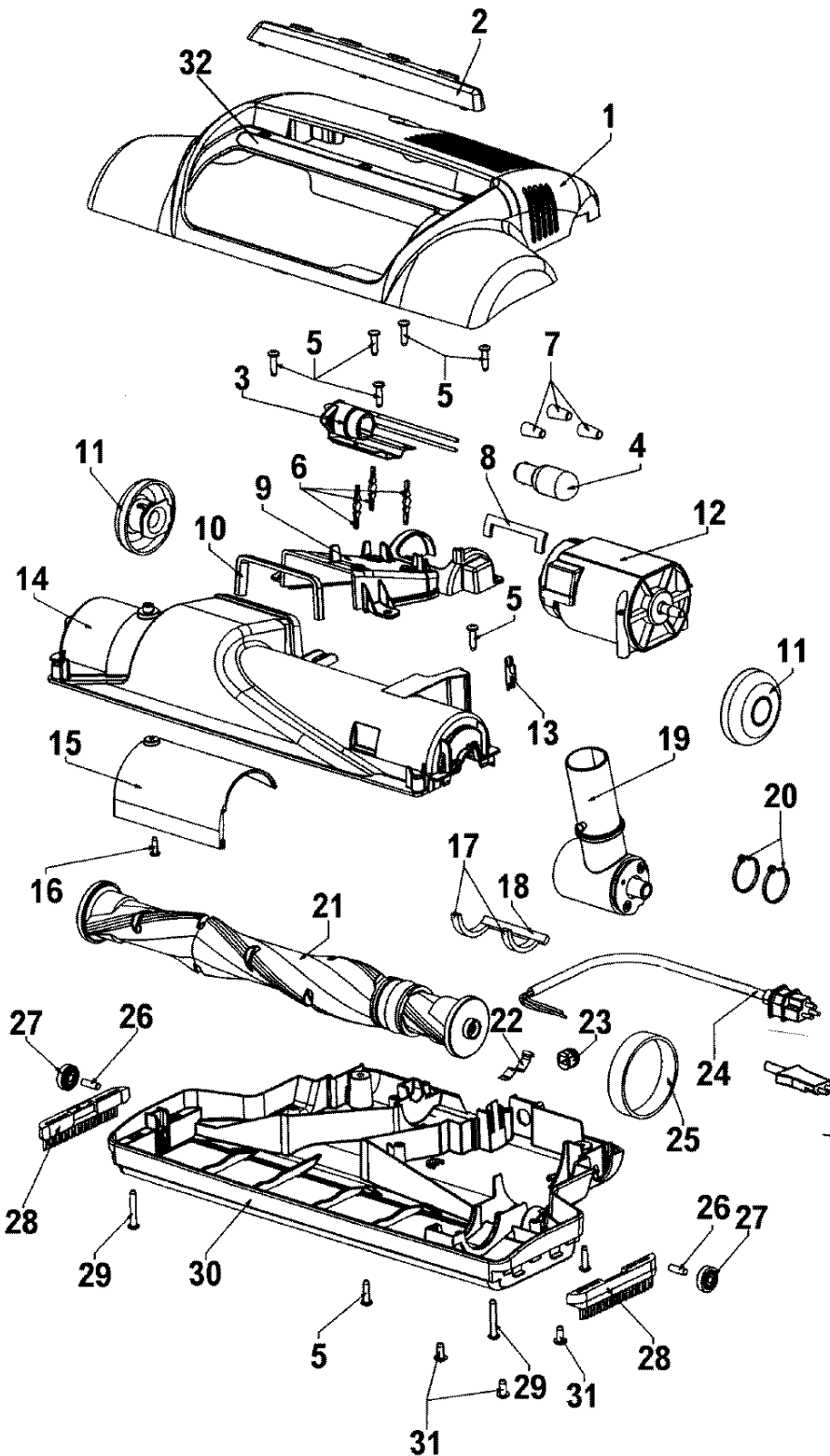
CENTRAL VAC SYSTEM

Platinum

CENTRAL VAC SYSTEM

1

ASSEMBLY SCHEMATIC



MODEL NO.

S5629080

SH80010

SH80015

SH80720

P.N.



WindTunnel

CENTRAL VAC SYSTEM

Platinum

CENTRAL VAC SYSTEM

1

PARTS LISTING

MODEL No.

ITEM	PART NUMBER	MODELS To FIT	PART DESCRIPTION
1		S5629080	HOOD COVER ASSEMBLY
		SH80010	HOOD COVER ASSEMBLY
	37253A67	SH80015	HOOD COVER ASSEMBLY - BLACK
		SH80720	HOOD COVER ASSEMBLY
	37253A17	ALL	HOOD COVER ASSEMBLY - PEWTER METALLIC
2	39383142	ALL	DIRT FINDER LENS
3	47171020	ALL	DIRT FINDER SOCKET
4	27317307	ALL	DIRT FINDER LAMP
5	21447003	ALL	SCREW
6	36218026	ALL	GROMMET
7	27618508	ALL	WIRE CONNECTOR
8	34253018	ALL	REAR SEAL
9	37243066	ALL	DUCT COVER
10	34113008	ALL	SEAL
11	43244046	ALL	WHEEL AND AXLE ASSEMBLY
12	43177074	ALL	MOTOR ASSEMBLY
13	013261AY	ALL	RIB SHOE
14	37243067	ALL	AGITATOR COVER
15	37243068	ALL	DUCT COVER
16	21479449	ALL	SCREW
17	34122014	ALL	SEAL
18	34112007	ALL	SEAL
19	43482114	S5629080, SH80010	NOZZLE CONNECTOR ASSEMBLY - BLACK
	38646102	SH80015, SH80720	NOZZLE QUICK DISCONNECTOR ASSEMBLY - BLACK
20	27479307	ALL	CABLE TIE
21	48414132	ALL	BRUSH ROLL ASSEMBLY - 15"
22	35276008	ALL	DETENT SPRING
23	27482146	ALL	STRAIN RELIEF
24	46321105	ALL	POWER NOZZLE CORD - 2 PRONG
25	38528036	ALL	BELT
26	31522004	ALL	WHEEL SHAFT
27	32761001	ALL	WHEEL
28	39511004	ALL	LITTER PICKER - IMPERIAL RED

S5629080
SH80010
SH80015
SH80720
P.N.



WindTunnel
CENTRAL VAC SYSTEM
Platinum
CENTRAL VAC SYSTEM

1

PARTS LISTING

ITEM	PART NUMBER	MODELS TO FIT	PART DESCRIPTION
29	21447236	ALL	SCREW
30	37245104	ALL	BASE PLATE ASSEMBLY WITH LITTER PICKER
31	21479801	ALL	SCREW - SELF TAPPING
32	91001023	ALL	HOOD COVER NAME PLATE
	48438291	S5629080, SH80010	POWER NOZZLE COMPELTE
	48438299	SH80015, SH80720	POWER NOZZLE COMPELTE

MODEL No.

S5629080
SH80010
SH80015
SH80720
P.N.



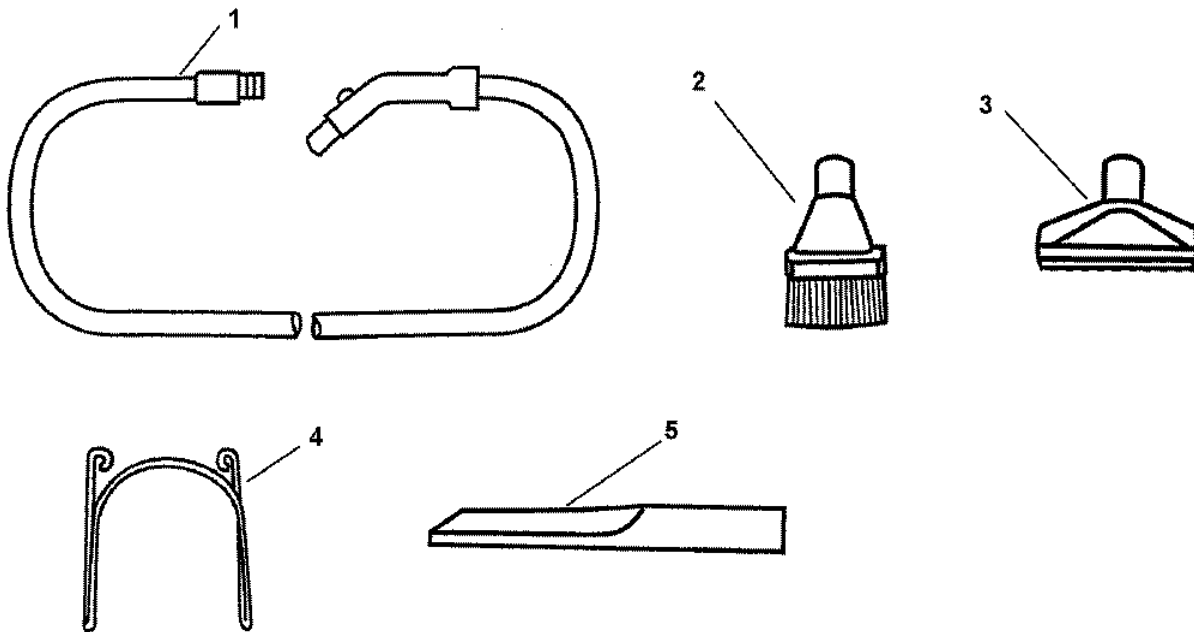
CENTRAL VACUUM SYSTEM

1

ASSEMBLY SCHEMATIC

MODEL NO.

S5676





CENTRAL VACUUM SYSTEM

1

PARTS LISTING

ITEM	PART NUMBER	MODELS TO FIT	PART DESCRIPTION
1	59132017	S5676	HOSE ASSEMBLY - 30'
2	43414197	S5676	DUSTING BRUSH
3	38614029	S5676	FURNITURE NOZZLE - BLACK
4	59644061	S5676	WIRE FRAME - HOSE STORAGE
5	38617033	S5676	CREVICE TOOL

MODEL No.

S5676



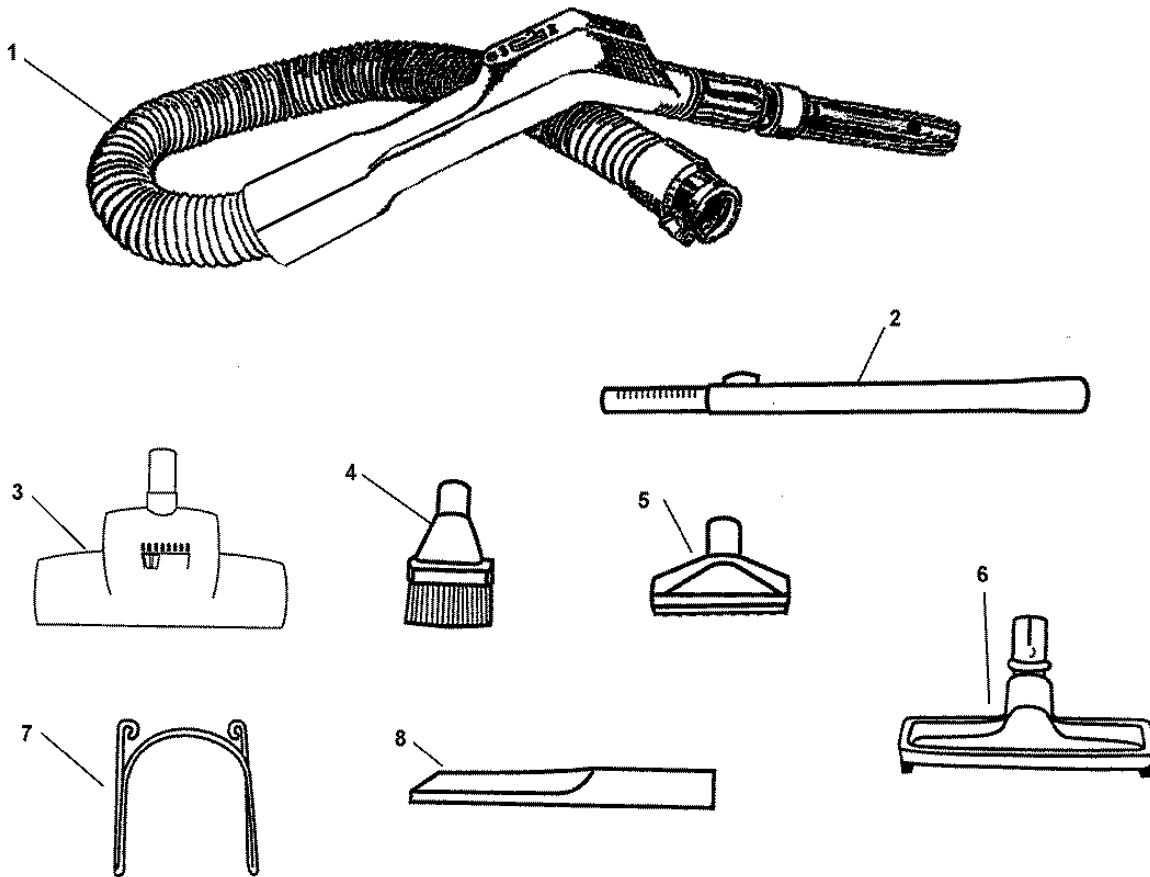
CENTRAL VACUUM SYSTEM

1

ASSEMBLY SCHEMATIC

MODEL NO.

S5678





CENTRAL VACUUM SYSTEM

1

PARTS LISTING

ITEM	PART NUMBER	MODELS TO FIT	PART DESCRIPTION
1	59132019	S5678	HOSE ASSEMBLY - 30'
	59132042	S5678	HOSE ASSEMBLY - 35'
2	59132026	S5678	TELESCOPIC WAND - ALUMINUM
3	43414143	S5678	TURBINE BRUSH
4	43414197	S5678	DUSTING BRUSH
5	38614029	S5678	FURNITURE NOZZLE - BLACK
6	92001259	S5678	12" FLOOR BRUSH ASSEMBLY
7	59644061	S5678	WIRE FRAME - HOSE STORAGE
8	38617033	S5678	CREVICE TOOL

MODEL No.

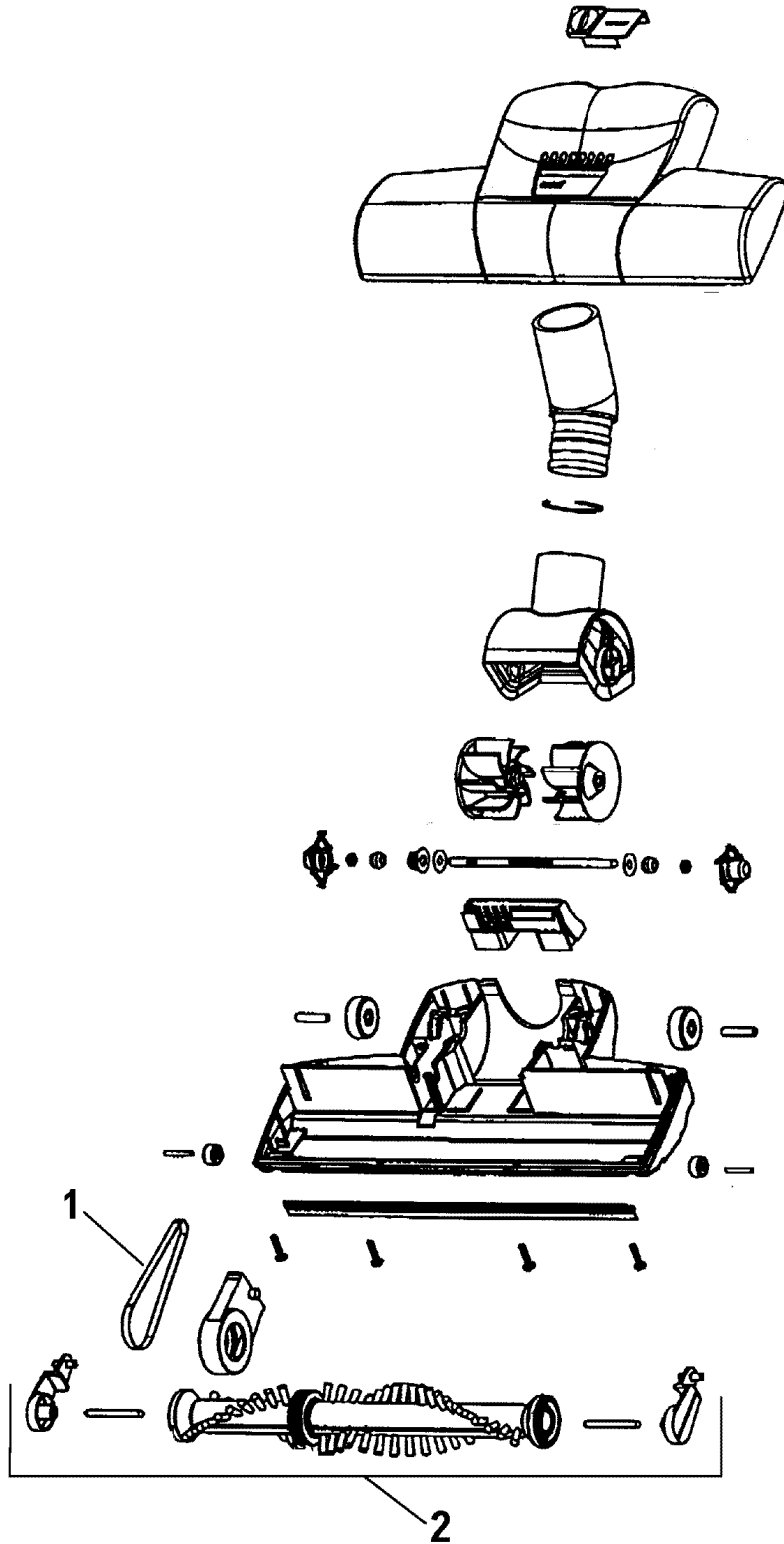
S5678



CENTRAL VACUUM SYSTEM

1

ASSEMBLY SCHEMATIC



MODEL NO.

S5678

P.N.



CENTRAL VACUUM SYSTEM

1

PARTS LISTING

ITEM	PART NUMBER	MODELS TO FIT	PART DESCRIPTION
1	59139301	S5678	BELT
2	59139302	S5678	AGITATOR / BRUSH ROLL
	37252083	S5678	NOZZLE COVER ASSEMBLY
	37914012	S5678	TURBINE HOUSING
	37245074	S5678	CLEANING FLAP
	43465003	S5678	SWIVEL ELBOW
	36235032	S5678	FURNITURE GUARD
	43152005	S5678	TUMBLER LEVER - RIGHT
	43152006	S5678	TUMBLER LEVER - LEFT
	21447212	S5678	SCREWS

MODEL No.

S5678



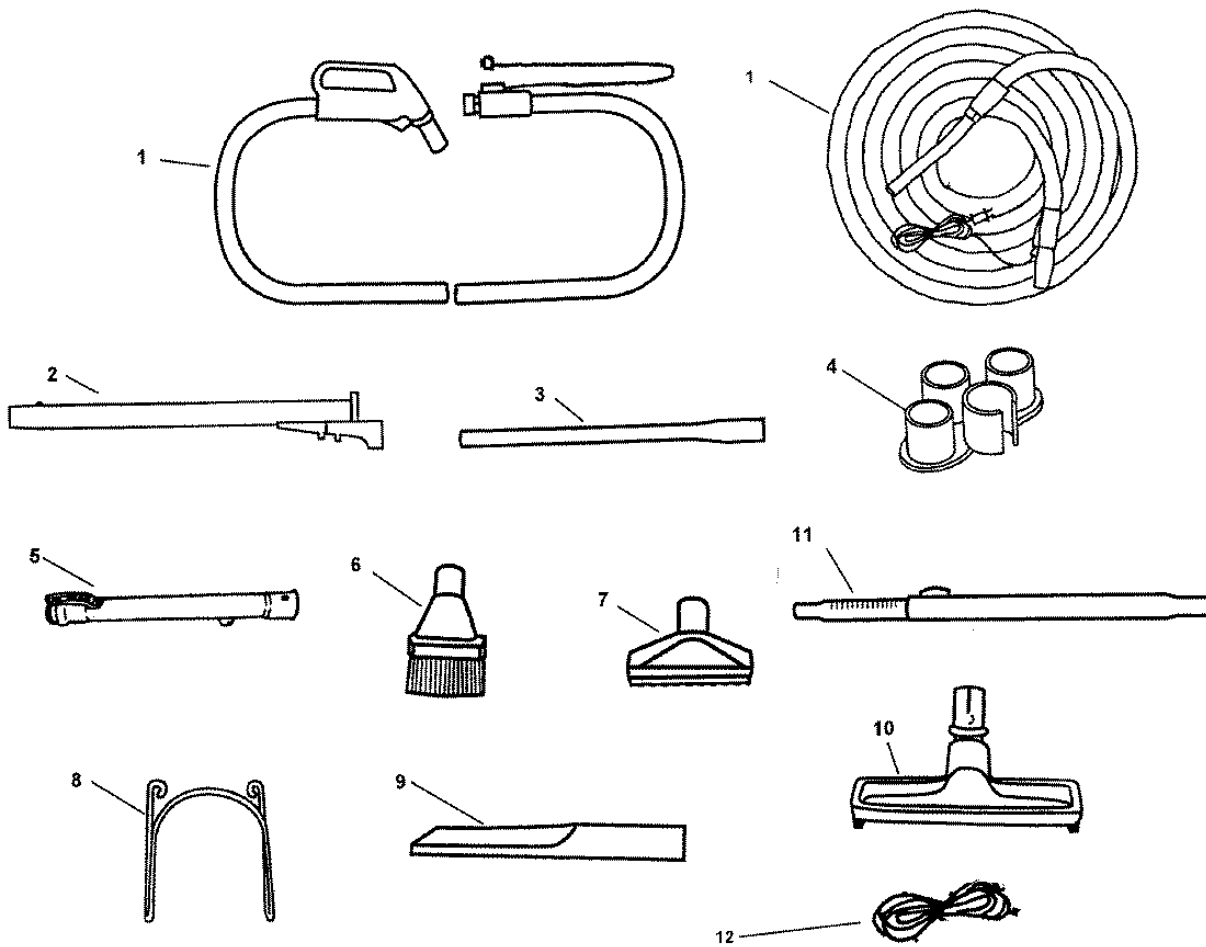
CENTRAL VACUUM SYSTEM

1

ASSEMBLY SCHEMATIC

MODEL NO.

S5682





CENTRAL VACUUM SYSTEM

1

PARTS LISTING

ITEM	PART NUMBER	MODELS TO FIT	PART DESCRIPTION
1	59132012	S5682	HOSE ASSEMBLY - 30' WITH PISTOL GRIP/ONE STEP
	59132013	S5682	HOSE ASSEMBLY - 30' CORDED
2	59132014	S5682	21" TUBE ASSEMBLY
3	38634078	S5682	EXTENSION TUBE - BLACK
4	59132016	S5682	WAND TOOL RACK
5	43453038	S5682	EXTENSION TUBE ASSEMBLY - 17"
6	43414197	S5682	DUSTING BRUSH
7	38614029	S5682	FURNITURE NOZZLE - BLACK
8	59644061	S5682	WIRE FRAME HOSE HOLDER
9	38617033	S5682	CREVICE TOOL
10	92001259	S5682	12" FLOOR BRUSH ASSEMBLY
11	59132015	S5682	TELESCOPIC WAND - METAL
12	59132044	S5682	CONNECTION CORD

MODEL No.

S5682



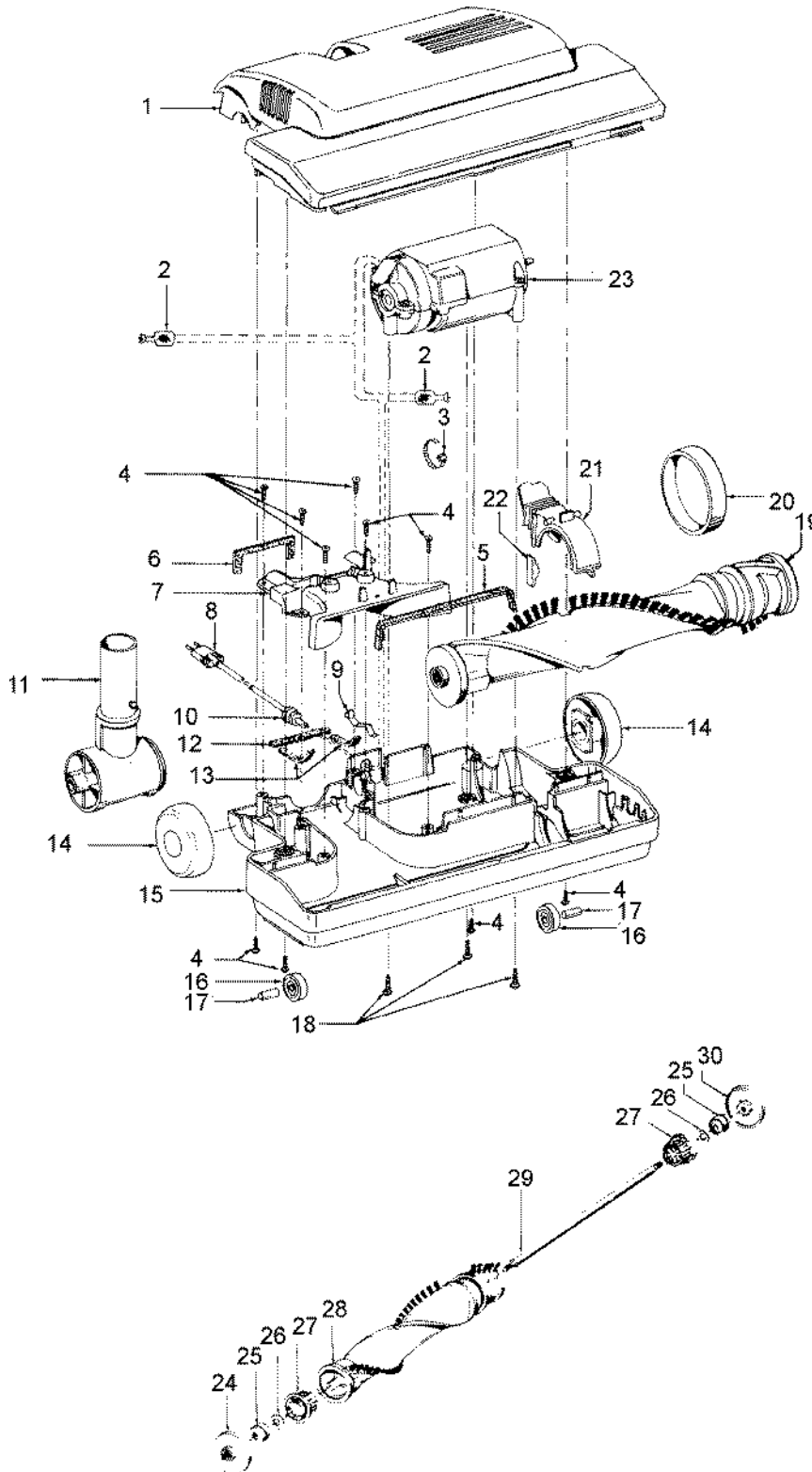
CENTRAL VACUUM SYSTEM

1

ASSEMBLY SCHEMATIC

MODEL NO.

S5682





CENTRAL VACUUM SYSTEM

1

PARTS LISTING

MODEL No.

S5682

ITEM	PART NUMBER	MODELS TO FIT	PART DESCRIPTION
1	42252A55	S5682	NOZZLE COVER ASSEMBLY
2	012227--	S5682	TERMINALS
3	27479307	S5682	CABLE TIE
4	21447003	S5682	SCREW
5	34123039	S5682	DUCT COVER SEAL
6	34253018	S5682	REAR SEAL
7	42256103	S5682	DUCT COVER ASSEMBLY
8	46321009	S5682	ATTACHMENT / POWER CORD - BLACK
9	35276008	S5682	DETENT SPRING
10	163768--	S5682	STRAIN RELIEF
11	43482114	S5682	NOZZLE CONNECTOR ASSEMBLY - BLACK
12	34112007	S5682	SEAL
13	34122014	S5682	SEAL
14	43244046	S5682	WHEEL AND AXLE ASSEMBLY
15	42246114	S5682	BASE PLATE ASSEMBLY
16	32761001	S5682	WHEEL
17	31522004	S5682	WHEEL SHAFT
18	21479801	S5682	SCREW - SELF TAPPING
19	48414081	S5682	AGITATOR / BRUSH ROLL ASSEMBLY
20	38528011	S5682	BELT
21	36923008	S5682	BELT GUARD
22	013261AY	S5682	RIB SHOE
23	43177074	S5682	MOTOR ASSEMBLY COMPLETE
24	36423016	S5682	THREAD GUARD - RIGHT
25	43267002	S5682	AGITATOR BEARING ASSEMBLY
26	21347003	S5682	CONICAL WASHER
27		S5682	AGITATOR ENDS
28		S5682	AGITATOR BODY
29		S5682	AGITATOR SHAFT
30	36423017	S5682	THREAD GUARD - LEFT
	48438270	S5682	POWER NOZZLE COMPLETE - DARK CHARCOAL GRAY



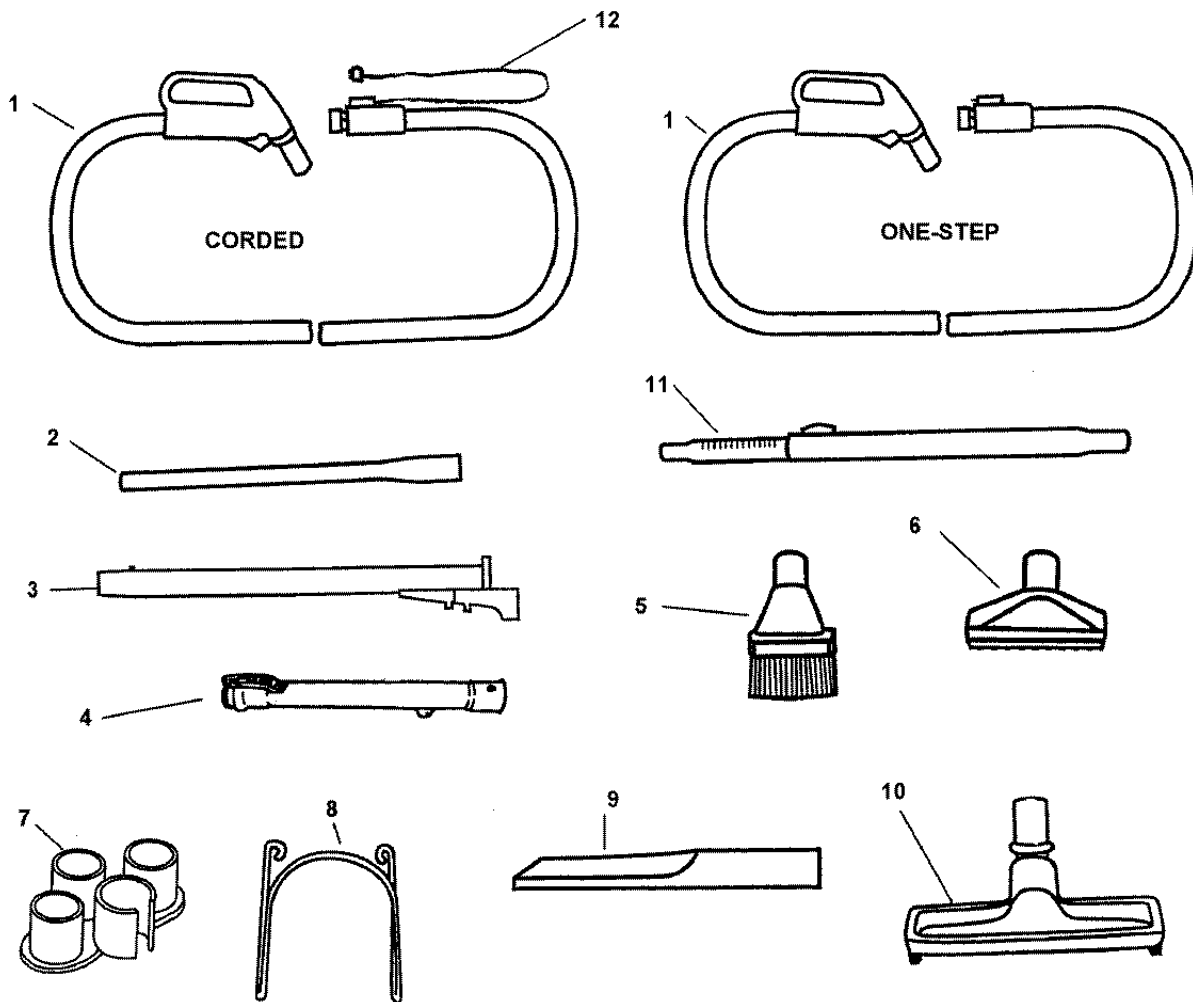
CENTRAL VACUUM SYSTEM

1

ASSEMBLY SCHEMATIC

MODEL NO.

S5684





CENTRAL VACUUM SYSTEM

1

PARTS LISTING

MODEL No.

S5684

ITEM	PART NUMBER	MODELS TO FIT	PART DESCRIPTION
1	59132013	S5684	HOSE ASSEMBLY - 30' CORDED
	59132012	S5684	HOSE ASSEMBLY - 30' WITH PISTOL GRIP/ONE STEP
	59132018	S5684	HOSE ASSEMBLY - 35' CORDED
2	38634078	S5684	EXTENSION TUBE - BLACK
3	59132014	S5684	21" TUBE ASSEMBLY
4	43453038	S5684	EXTENSION TUBE ASSEMBLY 17"
5	43414197	S5684	DUSTING BRUSH
6	38614029	S5684	FURNITURE NOZZLE - BLACK
7	59132016	S5684	WAND TOOL RACK
8	59644061	S5684	WIRE FRAME / HOSE HOLDER
9	38617033	S5684	CREVICE TOOL
10	92001259	S5684	12" FLOOR BRUSH ASSEMBLY
11	59132015	S5684	TELESCOPIC WAND - METAL
	59132026	S5684	TELESCOPIC WAND - ALUMINUM
12	59132027	S5684	PIGTAIL CORD - CORDED HOSE
	59132028	S5684	SWITCH KIT - CORDED HOSE
	59156137	S5684	FLOOR BRUSH - 12"



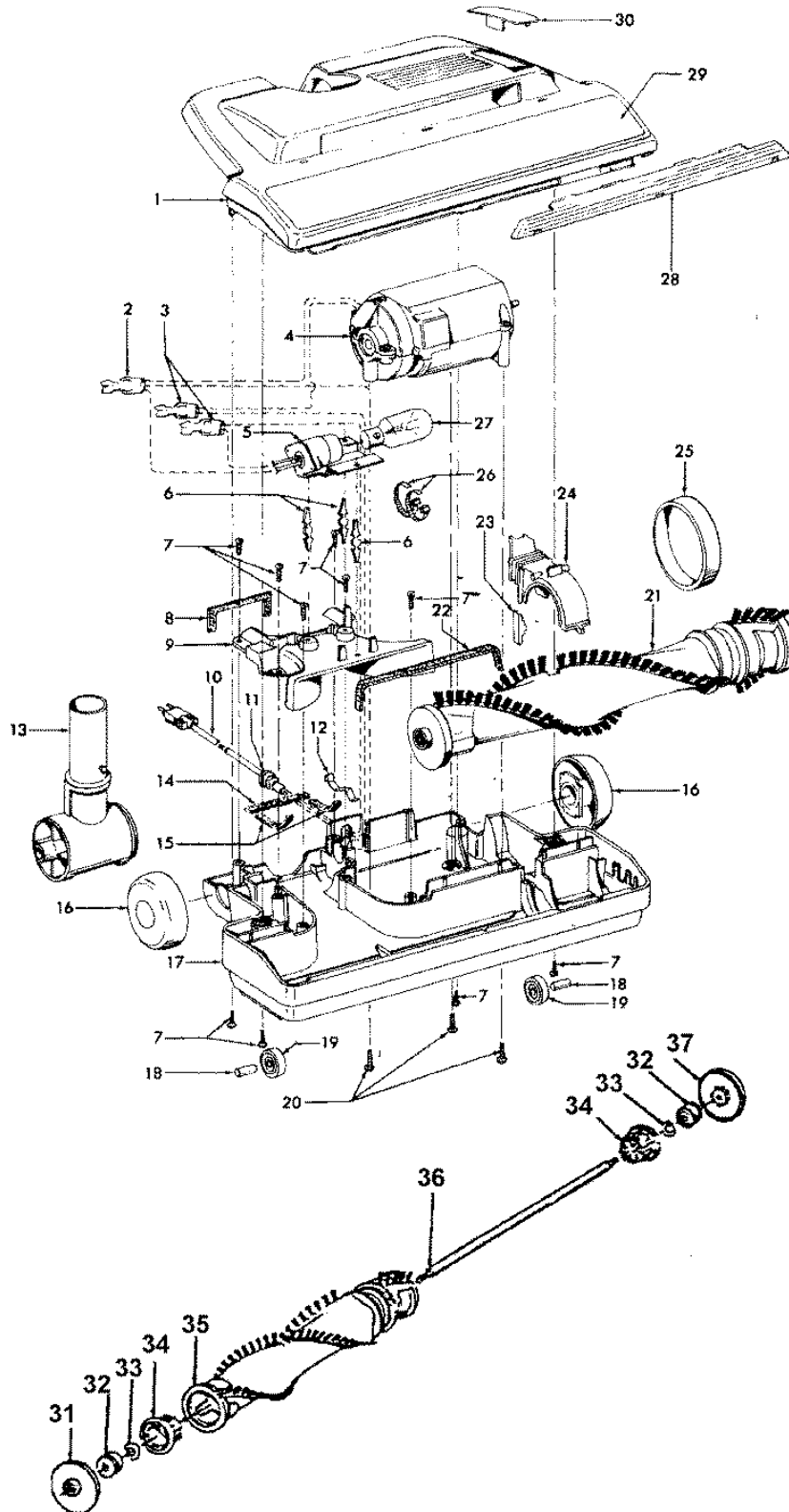
CENTRAL VACUUM SYSTEM

1

ASSEMBLY SCHEMATIC

MODEL NO.

S5684





CENTRAL VACUUM SYSTEM

1

PARTS LISTING

MODEL No.

S5684

ITEM	PART NUMBER	MODELS To FIT	PART DESCRIPTION
1	42252346	S5684	NOZZLE COVER ASSEMBLY - BLACK
2	018972--	S5684	THERMAL INSULATED
3	012227--	S5684	THERMINALS
4	43177074	S5684	MOTOR ASSEMBLY
5	47171020	S5684	DIRT FINDER SOCKET
6	36218026	S5684	GROMMET
7	21447003	S5684	SCREW
8	34253018	S5684	REAR SEAL
9	42256099	S5684	DUCT COVER ASSEMBLY
10	46521021	S5684	POWER NOZZLE CORD - 3 PRONG
11	163768--	S5684	STRAIN RELIEF
12	35276008	S5684	DETENT SPRING
13	43482114	S5684	NOZZLE CONNECTOR ASSEMBLY - BLACK
14	34112007	S5684	SEAL
15	34122014	S5684	SEAL
16	43244046	S5684	WHEEL ASSEMBLY
17	42246115	S5684	BASE PLATE ASSEMBLY - BLACK
18	31522004	S5684	WHEEL SHAFT
19	32761001	S5684	WHEEL
20	21479801	S5684	SCREW - SELF TAPPING
21	48414081	S5684	AGITATOR / BRUSH ROLL ASSEMBLY
22	34123039	S5684	DUCT COVER SEAL
23	013261AY	S5684	RIB SHOE
24	36923008	S5684	BELT GUARD
25	38528011	S5684	BELT
26	27479307	S5684	CABLE TIE
27	27317307	S5684	DIRT FINDER LAMP
28	39383142	S5684	DIRT FINDER LENS
29	52125141	S5684	NAME PLATE
30	48111010	S5684	BELT LENS
31	36423016	S5684	THREAD GUARD - RIGHT
32	43267002	S5684	AGITATOR BEARING ASSEMBLY
33	21347003	S5684	CONICAL WASHER
34		S5684	AGITATOR ENDS
35		S5684	AGITATOR BODY
36		S5684	AGITATOR SHAFT
37	36423017	S5684	THREAD GUARD - LEFT



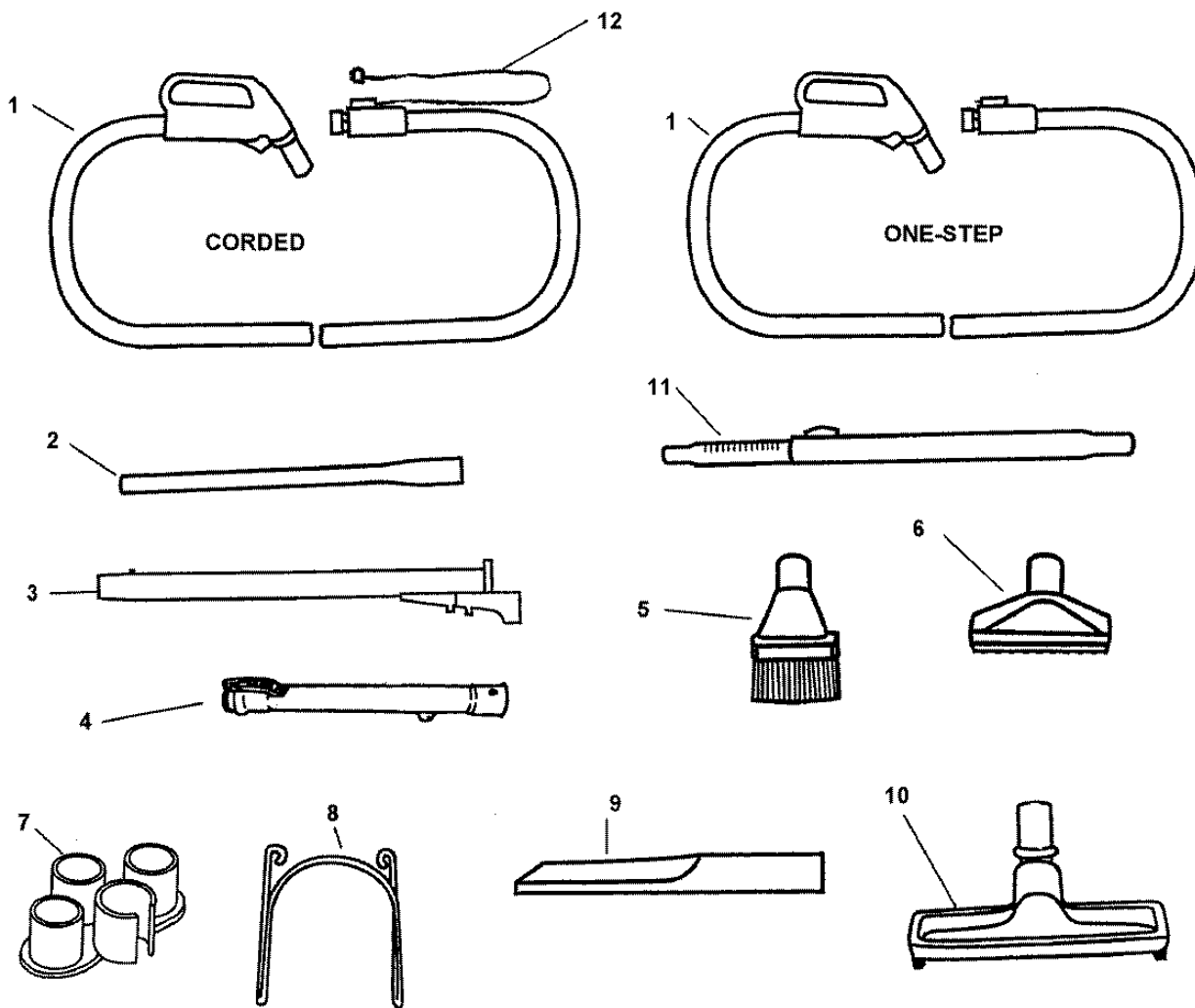
CENTRAL VACUUM SYSTEM

1

ASSEMBLY SCHEMATIC

MODEL NO.

S5686
S5688





CENTRAL VACUUM SYSTEM

1

PARTS LISTING

MODEL No.

S5686
S5688

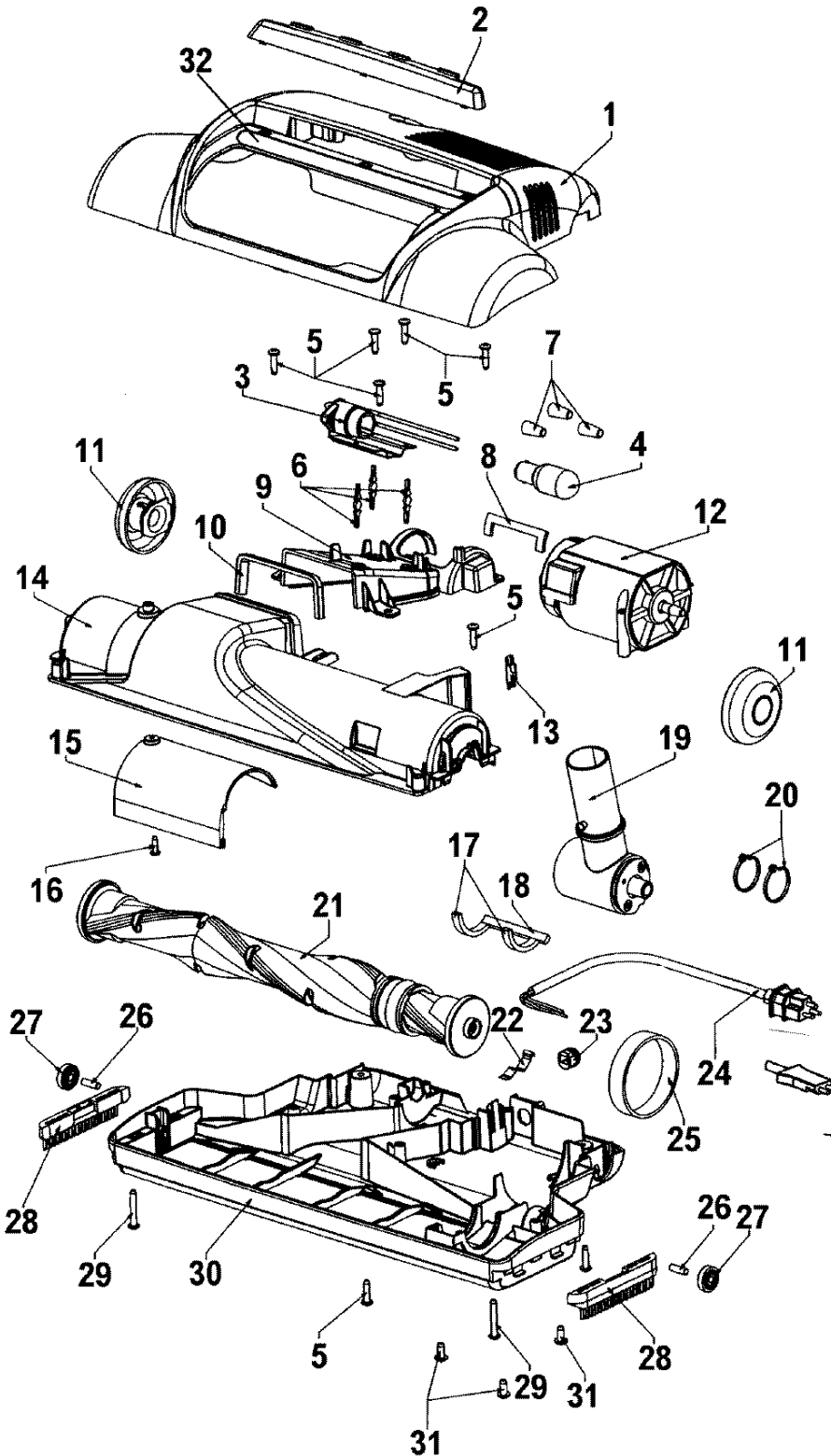
ITEM	PART NUMBER	MODELS TO FIT	PART DESCRIPTION
1	59132013	S5686	HOSE ASSEMBLY - 30' CORDED
	59132012	S5688	HOSE ASSEMBLY - 30' WITH PISTOL GRIP/ONE STEP
2	38634078	S5686, S5688	EXTENSION TUBE - BLACK
3	59132014	S5686, S5688	21" TUBE ASSEMBLY
4	43453038	S5686, S5688	EXTENSION TUBE ASSEMBLY - 17"
5	43414197	S5686, S5688	DUSTING BRUSH
6	38614029	S5686, S5688	FURNITURE NOZZLE - BLACK
7	59132016	S5686, S5688	WAND TOOL RACK
8	59644061	S5686, S5688	WIRE FRAME HOSE HOLDER
9	38617033	S5686, S5688	CREVICE TOOL
10	92001259	S5686, S5688	12" FLOOR BRUSH ASSEMBLY
11	59132026	S5686, S5688	TELESCOPIC WAND - ALUMINUM
12	59132027	S5686, S5688	PIGTAIL CORD - CORDED HOSE
	59132028	S5686, S5688	SWITCH KIT - CORDED HOSE
	59156137	S5686, S5688	FLOOR BRUSH - 12"



CENTRAL VACUUM SYSTEM

1

ASSEMBLY SCHEMATIC



MODEL NO.

S5686

S5688



CENTRAL VACUUM SYSTEM

1

PARTS LISTING

MODEL No.

S5686
S5688

ITEM	PART NUMBER	MODELS TO FIT	PART DESCRIPTION
1	37253311	S5686, S5688	HOOD COVER ASSEMBLY - BLACK
	37253A17	S5686, S5688	HOOD COVER ASSEMBLY - PEWTER METALLIC
2	39383142	S5686, S5688	DIRT FINDER LENS
3	47171020	S5686, S5688	DIRT FINDER SOCKET
4	27317307	S5686, S5688	DIRT FINDER LAMP
5	21447003	S5686, S5688	SCREW
6	36218026	S5686, S5688	GROMMET
7	27618508	S5686, S5688	WIRE CONNECTOR
8	34253018	S5686, S5688	REAR SEAL
9	37243066	S5686, S5688	DUCT COVER
10	34113008	S5686, S5688	SEAL
11	43244046	S5686, S5688	WHEEL AND AXLE ASSEMBLY
12	43177074	S5686, S5688	MOTOR ASSEMBLY
13	013261AY	S5686, S5688	RIB SHOE
14	37243067	S5686, S5688	AGITATOR COVER
15	37243068	S5686, S5688	DUCT COVER
16	21479449	S5686, S5688	SCREW
17	34122014	S5686, S5688	SEAL
18	34112007	S5686, S5688	SEAL
19	43482114	S5686, S5688	NOZZLE CONNECTOR ASSEMBLY - BLACK
20	27479307	S5686, S5688	CABLE TIE
21	48414132	S5686, S5688	BRUSH ROLL ASSEMBLY - 15"
22	35276008	S5686, S5688	DETENT SPRING
23	27482146	S5686, S5688	STRAIN RELIEF
24	46321105	S5686, S5688	POWER NOZZLE CORD - 2 PRONG
	46521021		POWER NOZZLE CORD - 3 PRONG
25	38528036	S5686, S5688	BELT
26	31520004	S5686, S5688	WHEEL SHAFT
27	32761001	S5686, S5688	WHEEL
28	39511004	S5686, S5688	LITTER PICKER - IMPERIAL RED
29	21447236	S5686, S5688	SCREW
30	37245104	S5686, S5688	BASE PLATE ASSEMBLY WITH LITTER PICKER
31	21479801	S5686, S5688	SCREW - SELF TAPPING
32	91001023	S5686, S5688	HOOD COVER NAME PLATE
	48438291	S5686, S5688	POWER NOZZLE COMPLETE



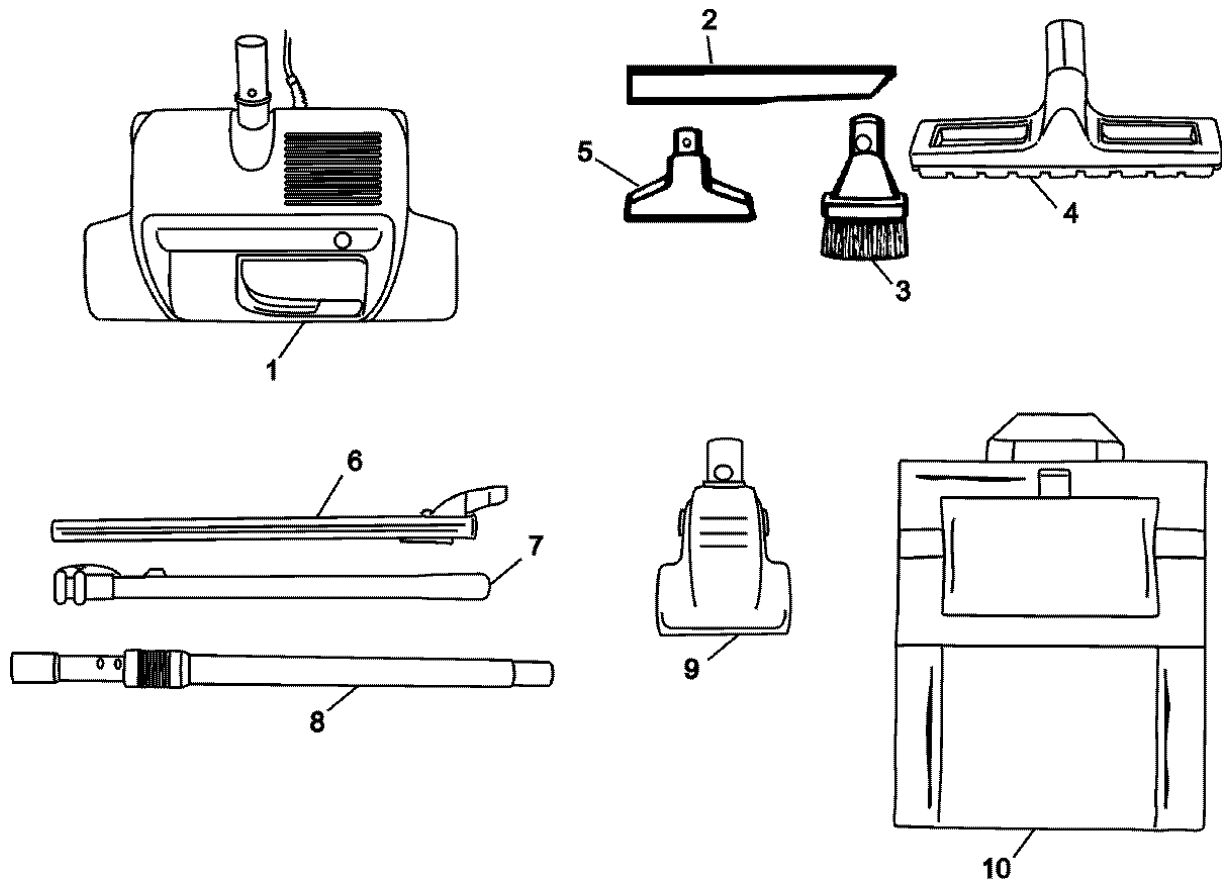
CENTRAL VACUUM SYSTEM

1

ASSEMBLY SCHEMATIC

MODEL NO.

S5716





CENTRAL VACUUM SYSTEM

1

PARTS LISTING

ITEM	PART NUMBER	MODELS TO FIT	PART DESCRIPTION
1	48438291	S5716	POWER NOZZLE COMPLETE
2	38617033	S5716	CREVICE TOOL
3	43414197	S5716	DUSTING BRUSH
4	59644081	S5716	FLOOR BRUSH - 14"
5	38614029	S5716	FURNITURE NOZZLE - BLACK
6	93001628	S5716	21" EXTENSION TUBE WITH CORD
7	43453038	S5716	17" EXTENSION TUBE ASSEMBLY
8	59132026	S5716	TELESCOPIC WAND - ALUMINUM
9	40200013	S5716	TURBINE HAND TOOL
10	59644021	S5716	TOOL CADDY

MODEL No.

S5716



CENTRAL VACUUM SYSTEM



1

PARTS LISTING

ROUGH-IN KIT

ITEM	PART NUMBER	MODELS To FIT	PART DESCRIPTION
	93001819	S5715	ROUGH-IN CABINET ASSEMBLY
	93001749	S5715	INSTALLATION BOOKLET
	93001753	S5715	HOSE TO PVC ADAPTOR
	59132165	S5715	ON-OFF SWITCH
	59132170	S5715	RETRACTOR POWER CORD
	59132172	S5715	ROUGH-IN CABINET BOTTOM COVER PLATE
	93001761	S5715	SWITCH JUMPER WIRE - 6"
	59132175	S5715	SCREW #4 - FRONT COVER DOOR

MODEL No.

S5715
S5715010

FINISH KIT

ITEM	PART NUMBER	MODELS To FIT	PART DESCRIPTION
	93001787	S5715	FRONT COVER DOOR FRAME
	93001762	S5715	MANUAL
	93001763	S5715	HOSE RETRACTOR ASSEMBLY
	93001760	S5715	FRONT COVER DOOR SCREW - #4
	93001784	S5715	RETRACTOR PC BOARD ASSEMBLY
	93001785	S5715	FRONT COVER DOOR
	59132213	S5715	GEL CAP LABEL
	59132214	S5715	HOSE ASSEMBLY - 45'
	93001791	S5715	BLEED VALVE
	59132239	S5715	SNOUT CAP
	59132252	S5715	LATCH LOCK SCREW
	93001779	S5715	110 VDC MOTOR